



### UT-910G-XX-BT UT-910G-XX-BR



LINK AMERICAN CABLING

### Scope of Application

The LINK SFP+ transceivers are high performance, cost effective modules which is the best for all 10G network interface. The UT-910G series can install into Switch products with SFP+ interface and can be compatible with Cisco & other brands.

LINK SFP+ Bi-Di transceivers are using single-fiber with WDM technology (bi-directional), operate on a single strand of standard SMF. The transceivers provide extended connectivity up to 80km transmission distance. They uses wavelength of 1270nm/1330nm or 1490nm/1550nm with single core of fiber optic to transmit and receive for optical data communications.

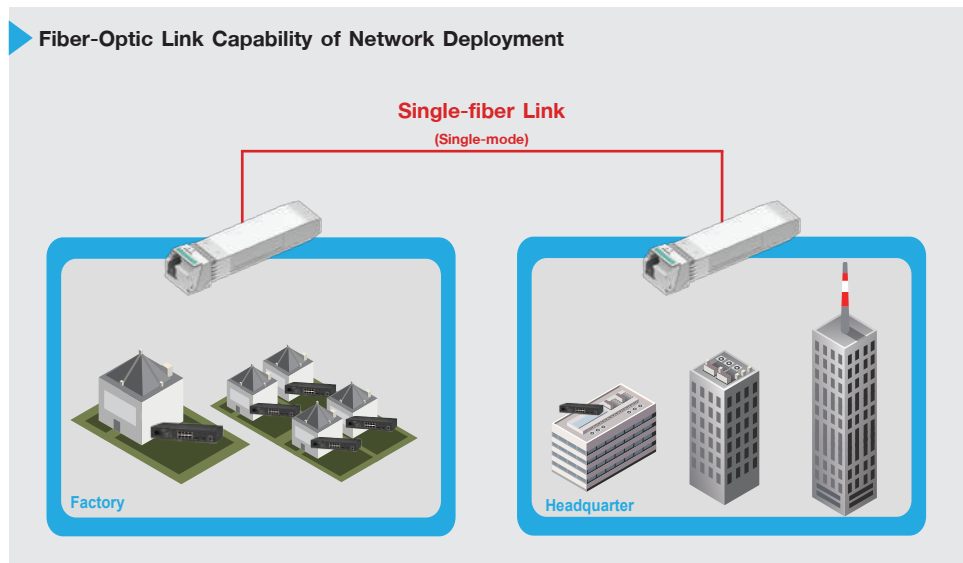
LINK SFP+ transceivers are a hot-pluggable (or hot-swappable). You can plug-in and out the transceiver to/from any SFP+ port without having to power down the network devices.

### Features Highlight

- Hot-Pluggable and support data rate up to 10Gbps
- Compliant with IEEE802.3ae 10Gigabit Ethernet standard
- Compliant with SFP+ Multi Source Agreement (MSA)
- Simplex LC connector
- Electrical interface compliant to SFF-8431 and SFF-8432
- Class 1 laser and complies with EN 60825-1
- Digital Diagnostic Monitoring Interface (DDMI) Capability
- Diagnostic Monitoring Interface to SFF-8472
- All-metal housing for superior EMI performance
- Low power consumption, Single +3.3V Power supply
- Operating temperature from 0°C to 70°C
- Plug and Play Installation
- RoHS Compliant

### Applications

- 10 Gigabit Ethernet
- Switch to Switch interface
- Network Storage
- Router/Server interface
- Switched backplane applications
- Other optical transmission systems
- IEEE 802.3ae
- Single-mode fiber optic





## Technical Data

Standards	
IEEE 802.3ae	10 Gigabit Ethernet
Mechanical and Environment	
Form Factor	SFP+
Connector	Simplex LC
DDMI/DOM	Supported
Power Supply Voltage	3.3V
Operating Temperature	0°C to 70°C
Storage Temperature	-40°C to 85°C
Operating Humidity	10% to 95% RH (non-condensing)
Storage Humidity	5% to 95% RH (non-condensing)
Compatible List	Alcatel, Allied Telesis, Arista, Aruba, Avaya, Brocade,
	Cisco, Cisco Meraki, Dahua, Dell, Delta, D-Link,
	Ericsson, Extreme, Fiberhome, Fortinet, H3C,
	Hikvision, Hirschmann, HP/HPE, Huawei, IBM,
	INTEL, Juniper, Linksys, Mellanox, MikroTik, Moxa,
	Netgear, Nokia, Nortel, Palo Alto, QNAP, Ruckus,
	Ruijie, Sophos, Synology, TP-Link, Ubiquiti, ZTE, Zyxel, etc.

Certifications	
ESD	MIL-STD-883E Method 3015.7
	IEC 61000-4-2
EMI	CISPR22 ITE Class B
	FCC Class B & CE
	EN 55022
EMC	VCCI Class 1
	IEC 61000-4-3
Product Safety	FDA 21 CFR 1040.10 and 1040.11
	Class 1 Laser
	EN 60825-1
	EN 60825-2
Green Product	EN 60950-1
	RoHS
Ordering Information	
UT-910G-XX10-BT	10G SFP+ Bi-Di SMF 1270nm/1330nm 10km
UT-910G-XX10-BR	10G SFP+ Bi-Di SMF 1330nm/1270nm 10km
UT-910G-XX20-BT	10G SFP+ Bi-Di SMF 1270nm/1330nm 20km
UT-910G-XX20-BR	10G SFP+ Bi-Di SMF 1330nm/1270nm 20km
UT-910G-XX40-BT	10G SFP+ Bi-Di SMF 1270nm/1330nm 40km
UT-910G-XX40-BR	10G SFP+ Bi-Di SMF 1330nm/1270nm 40km
UT-910G-XX60-BT	10G SFP+ Bi-Di SMF 1270nm/1330nm 60km
UT-910G-XX60-BR	10G SFP+ Bi-Di SMF 1330nm/1270nm 60km
UT-910G-XX80-BT	10G SFP+ Bi-Di SMF 1490nm/1550nm 80km
UT-910G-XX80-BR	10G SFP+ Bi-Di SMF 1550nm/1490nm 80km

**Note :**

\* Specifications subject to change without notice.

\* XX is code of transceiver as requested from compatible list.

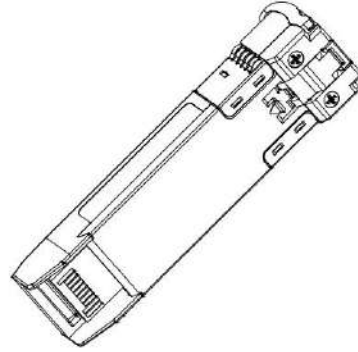
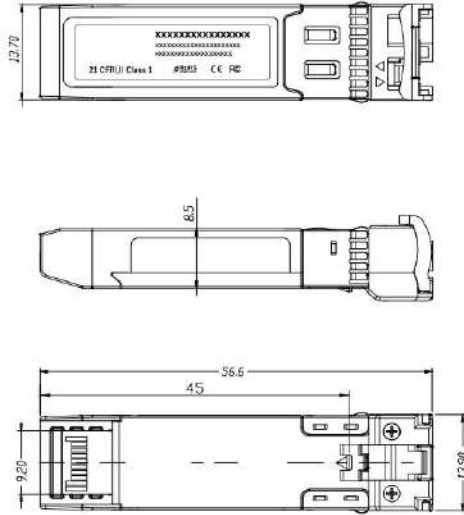
LC = LINK-Cisco      FN = Fortinet  
 HP = Hewlett Packard      HC = H3C  
 AB = Aruba      HM = Hirschmann  
 AL = Alcatel-Lucent      HW = Huawei  
 AT = Arista      IB = IBM  
 AY = Avaya      JP = Juniper  
 BC = Brocade      MN = Mellanox  
 DL = Dell      NK = Nokia  
 ES = Ericsson      ZT = ZTE  
 ET = Extreme

## Optical Characteristics

Part Number	Transmit Power (dBm)	Receive Sensitivity (dBm)	Wavelength (nm)		Operation Distance (m)	Input Voltage (V)	Connector
			Transmit	Receive			
UT-910G-XX10-BT	-6 to +0.5	-14.4	1270	1330	10,000	3.3	Simplex LC
UT-910G-XX10-BR	-6 to +0.5	-14.4	1330	1270	10,000	3.3	Simplex LC
UT-910G-XX20-BT	-3 to +2	-15	1270	1330	20,000	3.3	Simplex LC
UT-910G-XX20-BR	-3 to +2	-15	1330	1270	20,000	3.3	Simplex LC
UT-910G-XX40-BT	0 to +5	-15	1270	1330	40,000	3.3	Simplex LC
UT-910G-XX40-BR	0 to +5	-15	1330	1270	40,000	3.3	Simplex LC
UT-910G-XX60-BT	0 to +5	-20	1270	1330	60,000	3.3	Simplex LC
UT-910G-XX60-BR	0 to +5	-20	1330	1270	60,000	3.3	Simplex LC
UT-910G-XX80-BT	0 to +4	-23	1490	1550	80,000	3.3	Simplex LC
UT-910G-XX80-BR	0 to +4	-23	1550	1490	80,000	3.3	Simplex LC



## Drawing



All dimensions are  
 $\pm 0.2\text{mm}$  unless otherwise  
 specified.  
 Unit: mm