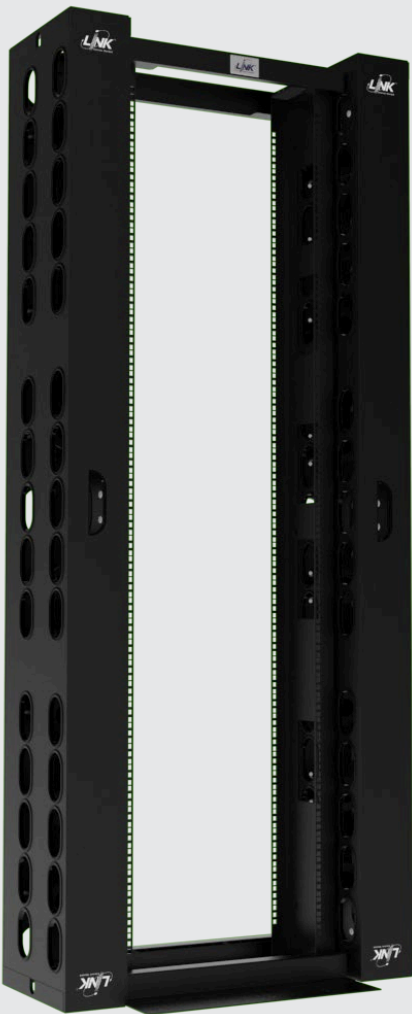




CN-61142FTR

LINK AMERICAN STANDARD



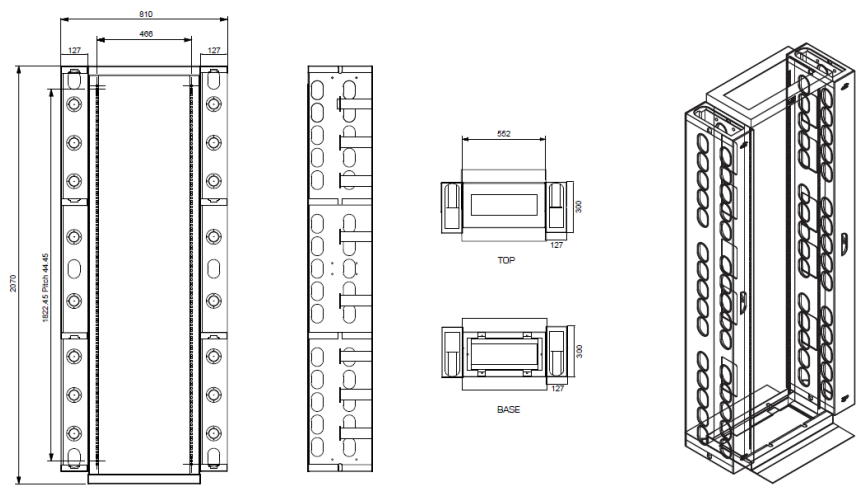
# FTTR MAIN DISTRIBUTION FRAME 42U

(FTTR MDF w/2 Vertical Management and Steel Base)

## Scope of Application

LINK FTTR Main Distribution Frame is designed for residential applications, specifically for Fiber to the Room (FTTR) installations. It supports main fiber optic cables connecting to floor distribution cabinets for various operators to provide internet connection services to end-users. The cabinet includes side cable management panels and a sturdy base to ensure stability. It is made from high-quality steel with anti-rust properties and adheres to the 19" Standard.

## Drawing



## Technical Standard

- ANSI/EIA-310D
- IEC 60297-1
- IEC 60297-2
- BS 5954 Part : 2
- DIN 41494
- 19" Rack Standard
- ISO 9001 :2015
- ISO 14001 : 2015





## Features

- LINK FTTR Main Distribution Frame is designed for residential applications, specifically for Fiber to the Room (FTTR) installations.
- The cable can be wiring at front and rear by maximum enlarged opening of the both side.
- Vertical Cable Management
- Mount on the floor by steel base

## Material

- Cabinet's Frame : 2.0 mm Electro-galvanized steel sheet
- Vertical Cable Management : 1.2 mm Electro-galvanized steel sheet
- Steel Base : 1.5 mm Electro-galvanized steel sheet
- Electrostatic powder coating, Black (RAL9004)

## Order Information

Part number	Description	U Height (U=4.45 cm.)	Width (cm.)	Depth (cm.)	Height (cm.)
CN-61142FTR	FTTR MAIN DISTRIBUTION FRAME 42U , complete Set	42U	81	30	207

Specifications subject to change without notice.

© 2023 LINK CORP. ALL RIGHTS RESERVED

www.linkcable.com

CN-61142FTR-V1.0-121124