



TL-2070A

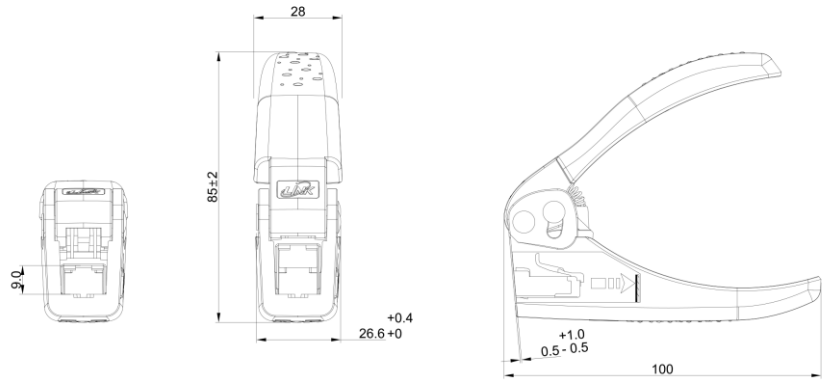


CRIMP TOOL For US-1070A UTP CAT 6A (Field Terminate) Only

Scope of Application

CRIMP TOOL for UTP CAT 6A Field Termination connector (US-1070A) that allows for tighter and better cable connections.

Drawing



Technical Standard

- LINK'S Standard
- RoHS Compliant



TECHNICAL SPECIFICATION

Grip	PBT+GF UL 94V-0
Base	PBT+GF UL 94V-0
Crimping Set	PC+GF UL 94V-0
Shaft	Steel Nickel Plating
Spring	SWP-V

Order Information

Part number	Description	Color	Package
TL-2070A	CRIMP TOOL For US-1070A UTP CAT 6A (Field Terminate) Only	Yellow	Pack

Specifications subject to change without notice.

© 2023 LINK CORP. ALL RIGHTS RESERVED

www.linkcable.com

TL-2070A-V1.0-110424