

# CCTV OUTDOOR CABINET

## SINGLE LAYER DOOR

### Scope of Application

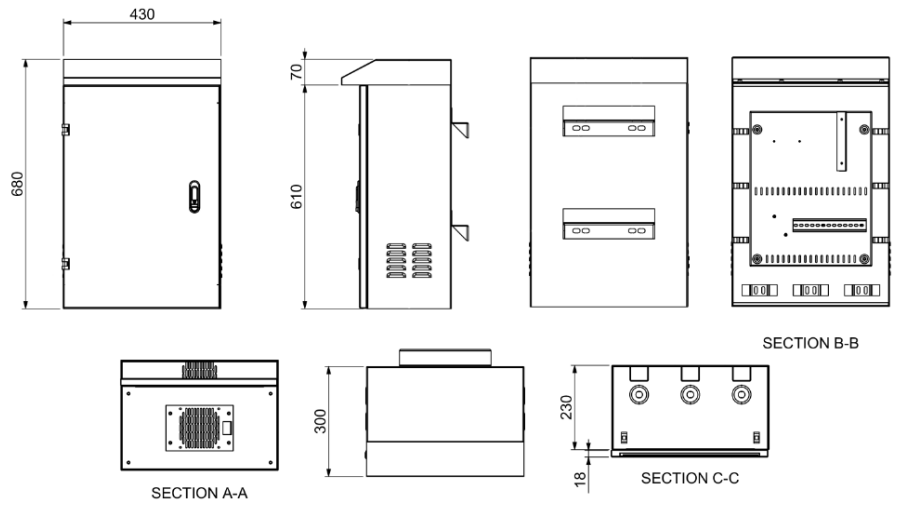
Hanging cabinet type for outdoor installation, suitable for CCTV system, Suitable for Fiber Optic Equipment, Industrial Media Converter and Industrial Ethernet Switches



UV-9010S

LINK AMERICAN STANDARD

### Drawing



### Technical Standard

- ASTM D522
- ASTM D3363
- ASTM D3359
- Salt spray test 500 hrs.
- ISO 9001 : 2015
- ISO 14001 : 2015



## Features

- Hanging cabinet type for outdoor, suitable for CCTV system and fiber optic distribution.
- Produced from Electro-Galvanized sheet steel with thickness of 1.2mm, Light weight and completed rust proof.
- New shine light gray color by electrostatic powder coating paint, UV-Resistance Paint. Index of protection IP43
- Provide build in push handle lock at front door.
- Water-proof and ventilation by roofer at side panels.
- Supporting by double steel bar with thickness of 2.0mm at Back side.
- Roof Cover can be mounted with single of 4" ventilating fan (CK-80104) to release the accumulated heat inside the cabinet and extend the life of equipment.
- Side panels and roof over are water proof by special rubber seal.
- Provide 3 knock out holes size 3/4 " and 1" for cable entry.
- Provide cable guide inside the cabinet for manages all the cables.
- Provide removable component plate with thickness 1.2mm. and stud. Plate can remove out from the cabinet for convenient to install the equipment.
- With stud, plate can be containing double splice tray (SV-2256) and 1 EA of 4 Outlet power distributions.
- Provide ground wire connecting between structure cabinet and front door.

## Material

- Frame : 1.2 mm Electro-galvanized steel sheet
- Removable Plate : 1.5 mm Electro-galvanized steel sheet
- Back Support Bar : 2.0 mm Electro-galvanized steel sheet
- Electrostatic powder coating, Medium Gray

## Order Information

Part number	Description	Height (cm.)	Width (cm.)	Depth (cm.)	IP Rating
UV-9010S	CCTV OUTDOOR STEEL CABINET, Single LAYER Door	68	43	25	IP43

Specifications subject to change without notice.

© 2023 LINK CORP. ALL RIGHTS RESERVED

www.linkcable.com

UV-9010S-V1.1-121223