

CCTV OUTDOOR CABINET

TYPE 2, IP43

Scope of Application

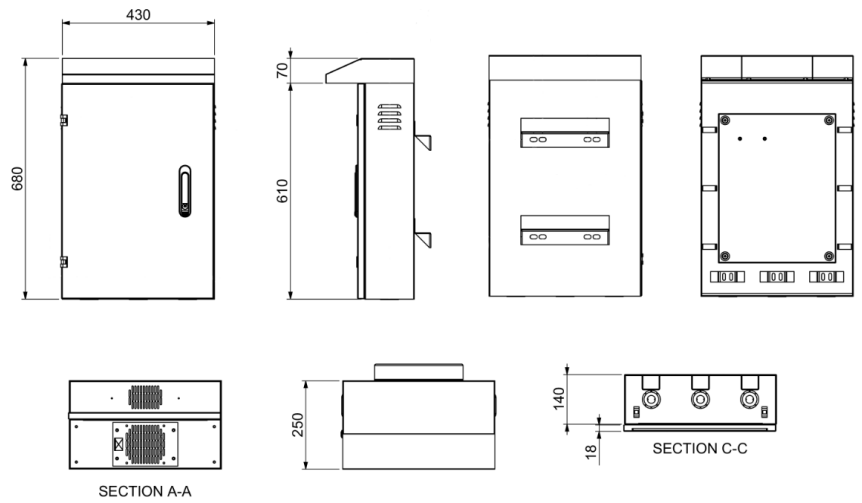
Hanging cabinet type for outdoor installation, suitable for CCTV system, Suitable for Fiber Optic Equipment, Industrial Media Converter and Industrial Ethernet Switches



UV-9002

LINK AMERICAN STANDARD

Drawing



Technical Standard

- ASTM D522
- ASTM D3363
- ASTM D3359
- Salt spray test 500 hrs.
- ISO 9001 : 2015
- ISO 14001 : 2015



Features

- Hanging cabinet type for outdoor, suitable for CCTV system and fiber optic distribution.
- Produced from Electro-Galvanized sheet steel with thickness of 1.0mm, Light weight and completed rust proof.
- New shine light gray color by electrostatic powder coating paint, UV-Resistance Paint. Index of protection IP43
- Provide build in push handle lock at front door.
- Water-proof and ventilation by roofer at side panels.
- Supporting by double steel bar with thickness of 2.0mm at Back side.
- Roof Cover can be mounted with single of 4" ventilating fan (CK-80104) to release the accumulated heat inside the cabinet and extend the life of equipment.
- Side panels and roof over are water proof by special rubber seal.
- Provide 3 knock out holes size 3/4 " and 1" for cable entry.
- Provide cable guide inside the cabinet for manages all the cables.
- Provide removable component plate with thickness 1.2mm. and stud. Plate can remove out from the cabinet for convenient to install the equipment.
- With stud, plate can be containing double splice tray (SV-2256) and 1 EA of 4 Outlet power distributions.
- Provide ground wire connecting between structure cabinet and front door.

Material

- Frame : 1.0 mm Electro-galvanized steel sheet
- Removable Plate : 1.2 mm Electro-galvanized steel sheet
- Back Support Bar : 2.0 mm Electro-galvanized steel sheet
- Electrostatic powder coating, Light Gray

Order Information

Part number	Description	Height (cm.)	Width (cm.)	Depth (cm.)	IP Rating
UV-9002	CCTV OUTDOOR STEEL CABINET, Type 2	68	43	15.8	IP43

Specifications subject to change without notice.

© 2023 LINK CORP. ALL RIGHTS RESERVED

www.linkcable.com

UV-9002-V1.1-121223