



UT-8010



LINK AMERICAN STANDARD

PoE SURGE PROTECTOR

CCTV PoE SURGE PROTECTOR, 10KV

Scope of Application

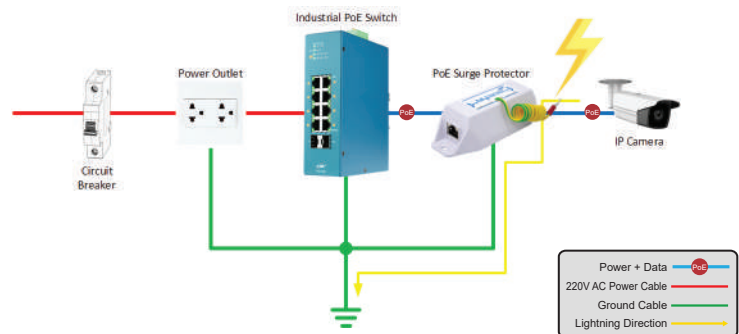
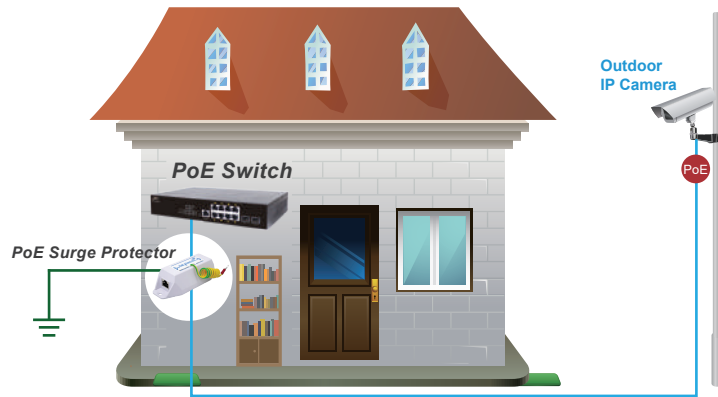
PoE Surge Protector is used for protection of the interface circuit of high speed Ethernet. It is connected in the input end of protected equipment. When the transmission line is struck by lightning, the lightning current is discharged to the earth through the lightning branches, and the lightning overvoltage is clamped within a proper range, thus the security of equipment being ensured.

The PoE Surge Protector is Surge Protection Device (SPD) to provide signal/power path and surge protection capability, and it's specifically designed to protect communication devices connected via Ethernet LAN from lightning surge entering through network cables. It employed our patented surge blocker with shunt devices and parallel devices to guarantee the safety of your device, even there is no secondary protection on your board. Additionally, the operation indicator will turn on while protector being out of life.

Features Highlight

- Gigabit PoE (IEEE 802.3af/at, 802.3bt type 3, 802.3bt type 4)
- Protect all 8 lines (CAT5e / CAT6 or Better)
- PoE power supply part with thermal protection
- Low insertion loss
- Total Maximum discharge voltage (Vmax) 10KV (1.2/50-8/20μs, 2Ω)
- IEC 61000-4-5, IEC61643-21
- Compact size and easy installation
- FCC, CE and RoHS Compliant

Applications





Technical Data

Standards	
IEEE 802.3	10Base-T (Ethernet)
IEEE 802.3u	100Base-TX (Fast Ethernet)
IEEE 802.3ab	1000Base-T (Gigabit Ethernet)
IEEE 802.3af	Power over Ethernet (PoE)
IEEE 802.3at	Power over Ethernet Plus (PoE+)
IEEE 802.3bt Type 3	PoE++
IEEE 802.3bt Type 4	Higher-Power PoE
Hardware Specifications	
Number of Ports	1 x RJ45 Input (10/100/1000Base-T) 1 x RJ45 Output (10/100/1000Base-T)
Pass Through Data Rates	10/100/1000 Mbps
Nominal Voltage	48V
Max. Operation DC Voltage	57V
Norminal current	0.8A
Norminal discharge voltage (1.2/50-8/20μs, 12Ω)	1.5KV(line-line), 6KV(line-PG)
Total Norminal discharge voltage (1.2/50-8/20μs, 2Ω)	10KV-5KA
Voltage protection level at I _n	≤40V(line-line), ≤90V(line-PG)
Voltage protection level at I _n (PoE)	≤90V(line-line)
Max. Transient Surge Current (@8/20μs)	10KA
Transmission frequency	250MHz
Insertion loss at 250MHz	≤2dB
Capacitance	≤3pF(line-line), ≤12pF(line-PG)
Response time	1μs

Mechanical and Environment	
Housing	Plastic
Dimensions (W x H x D)	130 x 35 x 48 (mm)
Weight	78.5g
Mounting	Mounting screws
Operating Temperature	-40°C to 80°C
Storage Temperature	-40°C to 80°C
Optering Humidity	5% to 95% RH (non-condensing)
Storage Humidity	5% to 95% RH (non-condensing)

Certifications	
EMC	FCC & CE Approved
Surge	Surge Class II
	IEC-61000-4-5 IEC61643-21
Plastics Flammability	IEC 60695-11-10
	IEC 60695-11-20
Green Product	RoHS

Ordering Information	
UT-8010	CCTV PoE SURGE PROTECTOR, Gigabit RJ 45, 10 KV

Note :
* Specifications subject to change without notice.

Drawing

