



US-6510

US-6511

US-6512

US-6513

US-6514

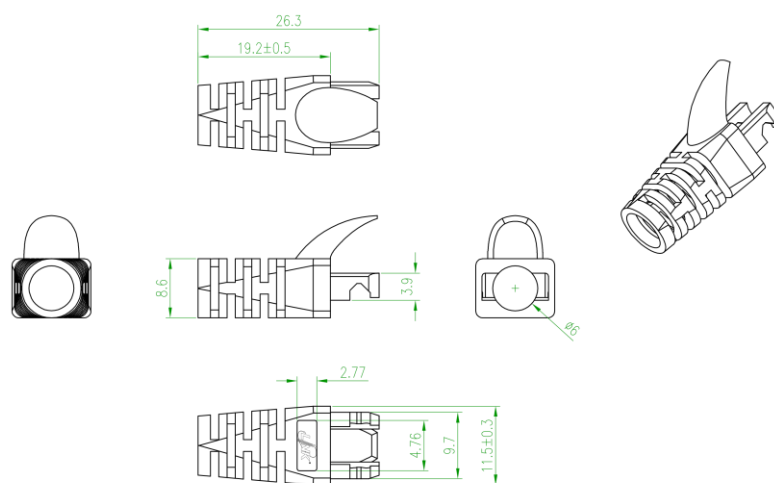
US-6515



Scope of Application

LINK Locking Plug Boots are designed to cover which protect RJ45 plug and cable during extreme use. It produces from special PVC with rubber for protect and lock each of plug. It helps you solve your hard time finding the end of for maintenance or relocation or makes organizing your patch cord system quickly. It is suitable for field terminated or patch cord maker and for unshield plug.

Drawing



Technical Standard

- RoHS Compliant



Construction and Properties

Housing	Material	Special PVC with rubber with embossed LINK logo
Support		RJ45 CAT5e Modular Plug (Unshielded)
Accommodate	Cable Diameter	4.5 – 6 mm
Compliant		RoHS

Order Information

Part number	Description	Color	Package
US-6510	Category 5e, Locking Plug boot	Transparent	10 Each/Pack
US-6511	Category 5e, Locking Plug boot	White	10 Each/Pack
US-6512	Category 5e, Locking Plug boot	Red	10 Each/Pack
US-6513	Category 5e, Locking Plug boot	Green	10 Each/Pack
US-6514	Category 5e, Locking Plug boot	Blue	10 Each/Pack
US-6515	Category 5e, Locking Plug boot	Yellow	10 Each/Pack

Specifications subject to change without notice.

© 2023 LINK CORP. ALL RIGHTS RESERVED

www.linkcable.com

US-651X-V1.1-140225