



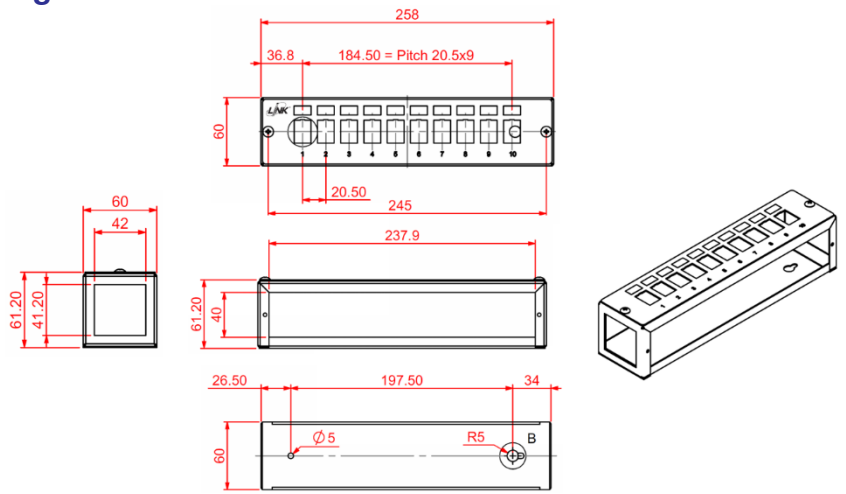
US-2510A

LINK AMERICAN STANDARD

Scope of Application

LINK mini patch panel for multi function, compatible to RJ45 Jack, Multimedia insert.

Drawing



Technical Standard

- ISO 9001 : 2015
- ISO 14001 : 2015

Feature

- Adjustable with vertical hole
- High density 1U 12 port design for easy assembly and to maintain
- Each port with clearly mark.





TECHINCAL SPECIFICATION

MATERIAL	1.2mm Electro-galvanized steel sheet
COLOR	- Electrostatic powder coating, Black (RAL9004)

Order Information

Part number	Description	Dimension W x H x D (cm.)
US-2210A	10 Port Mini PANEL 10" w/Support Box	26 X 6.2 X 6.0