

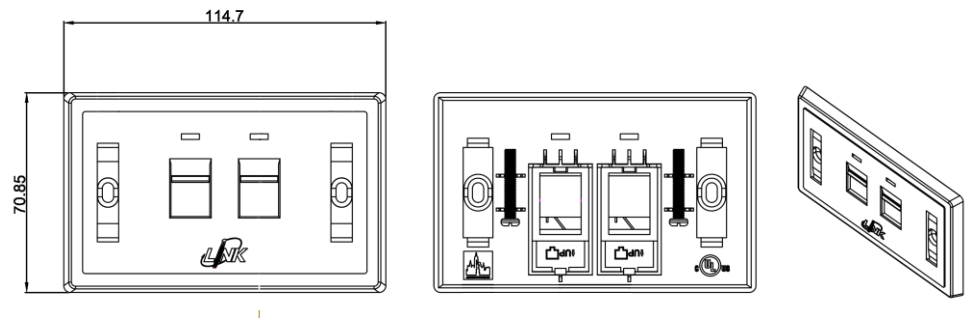


US-2122A

Scope of Applications

LINK face plate new design with embossed LINK logo on the front. Designed for standard 2 x 4" box, easy installation and checking your cabling system with color icon and label ID system which complied to TIA/EIA-606 standard. LINK face plate fits all type of standard jack, multimedia insert, flexible mounting hole and provide shutter for dust protected.

Drawing



Technical Standards

- UL Compliant
- RoHS Compliant



CONSTRUCTION

Material	ABS/Polycarbonate, UL 94 V-0		
Dimension (L x W x H)	114 x 70 x 7 mm		
Support	CAT5E, CAT6 and CAT6A RJ45 Jack & Tool Free RJ45 Jack RJ11 Modular Jack LINK Multimedia Modular Insert		
Accessories	Icon	Computer (Blue) x 1pc., Telephone (Red) x 1pc., Blank x 1pc.)	
	Label ID	White paper with transparent plastic cover x 2pcs.	
	Screw	Screw x 2pcs. with compartment slot	
Available Ports	2 ports		
Approval	UL listed file no. E196947, RoHS		

Order Information

Part number	Description	Color	Package
US-2122A	Face Plate 2 Port with Shutter, Icon & Label ID	Shiny White	Pack

Specifications subject to change without notice.

© 2023 LINK CORP. ALL RIGHTS RESERVED

www.linkcable.com

US-2122A-V1.0-061223