



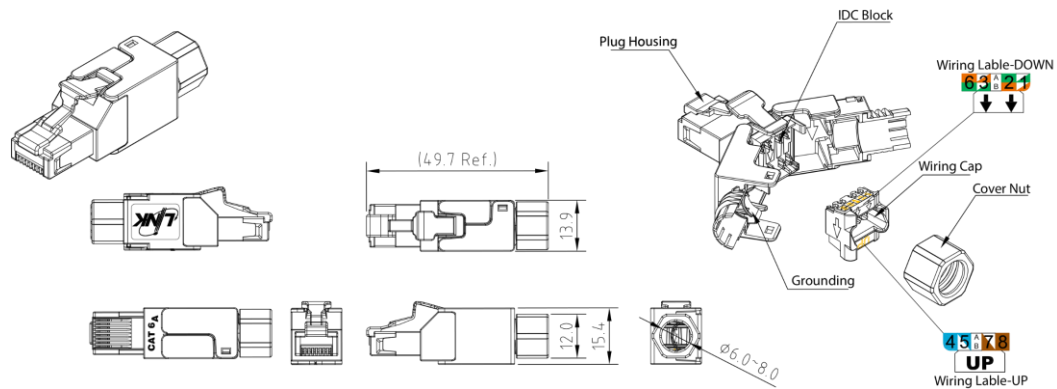
US-1071S

LINK AMERICAN STANDARD

## Scope of Application

The modular plug compliant ISO/IEC 11801:2017 Class EA and ANSI/TIA-568.2-D requirements for category 6A performance. LINK Shielded CAT6A RJ45 modular plug showed the embossed LINK logo on the side. LINK offer plugs in standard configurations to terminate modular cord for patching or MPTL. Simplified termination due to a unique process. Include copper foil tape in package.

## Drawing



## Technical Standard

- ANSI/TIA-568.2-D Category 6A
- ISO/IEC 11801:2017 class EA
- EN 50173-1 Category 6A
- UL 1863
- IEC 60603-7
- IEC 60512-27-100
- RoHS Compliant



## Construction and Properties

<b>PIN Contact</b>	<b>Material</b>	Phosphor Bronze alloy plated with 50 micro-inches of gold
<b>IDC Contact</b>	<b>Material</b>	Phosphor bronze with 150 micro inch tin plated
<b>IDC Block</b>	<b>Material</b>	High Impact Polycarbonate, UL 94 V-0
<b>Plug Housing</b>	<b>Material</b>	High Impact Polycarbonate, UL 94V-0, Gray
<b>Housing</b>	<b>Material</b>	Zinc-alloy fully shielded
<b>Wiring Cap</b>	<b>Material</b>	High Impact Polycarbonate, UL 94V-0, Gray
<b>Cover Nut</b>	<b>Material</b>	High Impact Polycarbonate, UL 94 V-0, Gray
<b>Tape</b>	<b>Material</b>	Copper Foil: 35 mm x 20 mm (L x W)

## Electrical Characteristics

<b>Insulation Resistance</b>	500 Mega ohms minimum
<b>Dielectric Withstanding</b>	≤1000 V
<b>Current Rating</b>	≤1.5 Amps
<b>DC Resistance</b>	≤0.1 Ohm maximum
<b>Contact Resistance</b>	20 Milli ohms maximum.

## Physical Properties

<b>Plug contact</b>	<b>Durability</b>	2500 mating cycles
	<b>Force</b>	100 grams minimum
<b>IDC contact</b>	<b>Durability</b>	200 re-termination cycles
<b>Accommodate</b>	<b>Wire Gauge</b>	26-23 AWG solid and stranded bare copper
	<b>Cable Diameter</b>	6 mm - 8 mm
<b>Termination Style</b>		110 IDC, Tool Free
<b>Wiring Pattern</b>		T568A/T568B (universal color pattern)
<b>Temperature</b>	<b>Storage</b>	-40°C to 80°C
	<b>Operation</b>	-20°C to 80°C



## PERFORMANCE CHARACTERISTIC (meet or exceed ANSI/TIA-568.2-D Category 6A)

Frequency (MHz)	Insertion Loss (dB)	NEXT (dB)	FEXT (dB)	Return Loss (dB)
1	0.01	86.5	80.9	53.5
4	0.01	83.2	72.9	53.8
8	0.01	78.5	69.0	52.1
10	0.01	76.9	67.5	50.8
16	0.01	74.4	63.7	47.2
20	0.01	72.6	61.9	45.3
25	0.01	70.6	60.1	43.2
31.25	0.02	68.8	58.2	41.2
62.5	0.03	62.7	52.5	34.9
100	0.04	58.4	48.4	30.9
155	0.07	54.1	44.6	27.0
200	0.08	51.3	42.4	24.7
250	0.12	48.6	40.5	22.5
300	0.15	46.6	39.0	20.7
350	0.20	45.0	37.7	19.1
400	0.25	43.8	36.6	17.8
450	0.31	41.3	34.6	16.5
500	0.37	39.0	32.6	15.5

## Application

- 2.5G/5G BASE-T (IEEE 802.3bz)
- 10G BASE-T (IEEE 802.3an 10Gigabit Ethernet)
- 1000 BASE-T (IEEE 802.3ab Gigabit Ethernet)
- 1000 BASE-TX (TIA/EIA-854)
- 100 BASE-TX (IEEE 802.3u Fast Ethernet)
- 10 BASE-T (IEEE 802.3i Ethernet)
- 52/155/622Mbps and 1.2Gbps ATM
- 4/16 Mbps Token Ring
- IEEE 802.3af (PoE), IEEE 802.3at (PoE+), IEEE 802.3bt (Type4)
- TP-PMD, TPDDI, ISDN, CDDI, VoIP
- EtherCAT Industrial standard, HDBaseT 2.0 standard
- Baseband, Broadband
- Digital and analog for data, video and audio application

## Order Information

Part number	Description	Color	Package
US-1071S	Shielded, Category 6A, RJ45 Modular Plug	Metallic/Gray	Pack

Specifications subject to change without notice.

© 2023 LINK CORP. ALL RIGHTS RESERVED

www.linkcable.com

US-1071S-V1.0-011223