



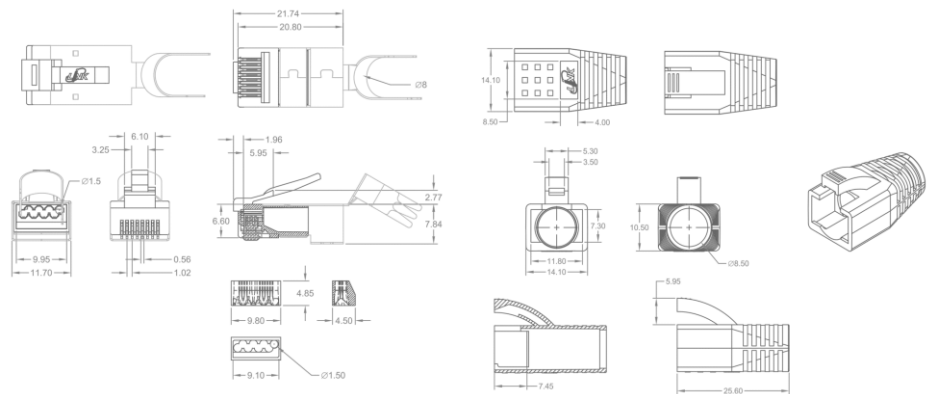
US-1070SG

HYBRID CAT 6A RJ45 GOLD PLUG, UTP/Shield w / Boot

Scope of Application

HYBRID CAT 6A RJ45 GOLD PLUG compliant ISO/IEC 11801:2017 Class EA and ANSI/TIA-568.2-D requirements for category 6A performance. LINK offer plugs in standard configurations to terminate modular cord for patching or MPTL. Simplified termination due to a unique process. The mechanical of 2 layers with pre-insert bar optimizes performance and consistency by reduce untwisted at plug.

Drawing



Technical Standard

- ANSI/TIA-568.2-D Category 6A
- ISO/IEC 11801:2017 class EA
- EN 50173-1 Category 6A
- UL 1863
- IEC 60603-7
- IEC 60512-27-100
- RoHS Compliant



Construction and Properties

PIN Contact	Material	Phosphor bronze with 50 μ-inch gold plating
Pre-insert Bar	Material	High-Impact Polycarbonate, UL 94V-0
Plug Housing	Material	High Impact Polycarbonate with LINK logo, UL 94V-0, Transparent
Shield Housing	Material	Brass with Nickel plated and gold plate
Boot	Material	High-Impact Polycarbonate, UL 94V-0, Transparent

Electrical Characteristics

Insulation Resistance	500 Mega ohms minimum
Dielectric Withstanding	≤1000 V
Current Rating	≤1.5 Amps
DC Resistance	≤0.1 Ohm maximum
Contact Resistance	20 Milli ohms maximum.

Physical Properties

Mating Cycles	Durability	≥ 1000 times
Accommodate	Wire Gauge	24-22 AWG solid and stranded bare copper
	Insulation Diameter	0.8mm-1.2mm.
	Cable Diameter	6mm-8.5mm.
Termination Style		Crimping
Wiring Pattern		T568A/T568B (universal color pattern)
Temperature	Storage	-40°C to 80°C
	Operation	-20°C to 80°C

Application

- 2.5G/5G BASE-T (IEEE 802.3bz)
- 10G BASE-T (IEEE 802.3an 10Gigabit Ethernet)
- 1000 BASE-T (IEEE 802.3ab Gigabit Ethernet)
- 1000 BASE-TX (TIA/EIA-854)
- 100 BASE-TX (IEEE 802.3u Fast Ethernet)
- 10 BASE-T (IEEE 802.3i Ethernet)
- 52/155/622Mbps and 1.2Gbps ATM
- 4/16 Mbps Token Ring
- IEEE 802.3af (PoE), IEEE 802.3at (PoE+), IEEE 802.3bt (Type4)
- TP-PMD, TPDDI, ISDN, CDDI, VoIP
- EtherCAT Industrial standard, HDBaseT 2.0 standard
- Baseband, Broadband
- Digital and analog for data, video and audio application



Order Information

Part number	Description	Color	Package
US-1070SG	HYBRID CAT 6A RJ45 GOLD PLUG, UTP/Shield w / Boot	Gold / Transparent	Pack

Specifications subject to change without notice.

© 2023 LINK CORP. ALL RIGHTS RESERVED

www.linkcable.com

US-1070SG-V1.0-291123