



US-1002

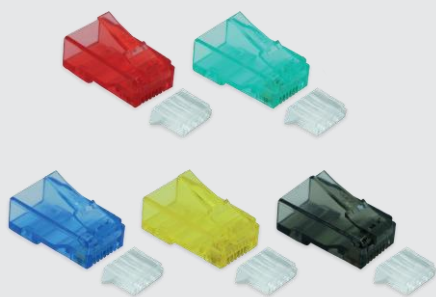
US-1062-2

US-1062-3

US-1062-4

US-1062-5

US-1062-6



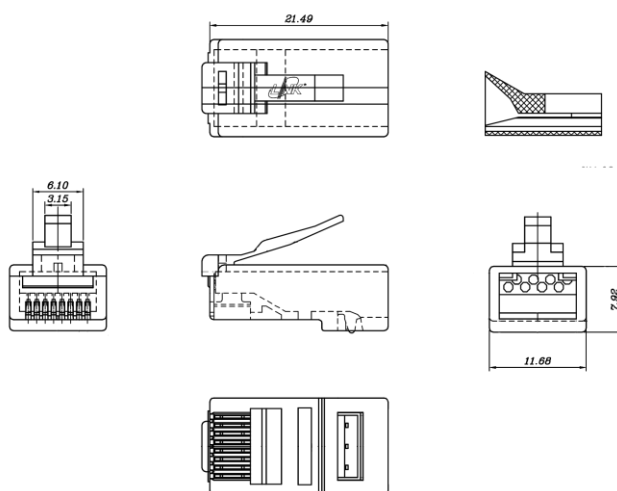
## CAT6 RJ45 Modular Plug, 2 layers

### with pre-insert bar

#### Scope of Application

LINK Category 6 RJ45 Modular Plug compliant ISO/IEC 11801 Class E and ANSI/TIA-568.2-D requirements for category 6 performance. LINK offer plugs in standard configurations to terminate modular cord for patching or working applications. Simplified termination due to a unique process. The mechanical of 2 layer with pre-insert bar optimizes performance and consistency by reduce untwisted at plug.

#### Drawing



#### Technical Standard

- ANSI/TIA-568.2-D Category 6
- ANSI/TIA-568-C.2 Category 6
- ISO/IEC 11801:2017 class E
- EN 50173-1 Category 6
- UL 1863
- IEC 60603-7, FCC Part 68 Subpart F
- RoHS Compliant
- Approvals UL listed file no. E196947



## Construction and Properties

<b>Plug Housing</b>	<b>Material</b>	High-impact polycarbonate with LINK logo, UL 94V-0
<b>Pre-insert bar</b>	<b>Material</b>	High-impact polycarbonate, UL 94V-0
<b>Pin Contact</b>	<b>Material</b>	3 Prong pin, Phosphor Bronze plated with 50 micro-inch hard gold over 100 micro-inch nickel under plated in contact area

## Physical Properties

<b>Plug Contact Durability</b>		1200 mating cycles
<b>Wiring Pattern</b>		T568A/T568B (universal color pattern)
<b>Accommodate</b>	<b>Wire Gauge</b>	26-22 AWG solid and stranded bare copper
	<b>Insulation Diameter</b>	0.8mm-1.1mm.
	<b>Cable Diameter</b>	5 mm – 9 mm
<b>Termination Style</b>		Crimping
<b>Boot support</b>		Compatible with LINK Plug boot and locking plug boot
<b>Temperature</b>	<b>Storage</b>	-40°C to 80°C
	<b>Operation</b>	-20°C to 80°C

## Application

- 2.5G/5G BASE-T (IEEE 802.3bz)
- 10G BASE-T (IEEE 802.3an 10Gigabit Ethernet) \*55m
- 1000 BASE-T (IEEE 802.3ab Gigabit Ethernet)
- 1000 BASE-TX (TIA/EIA-854)
- 100 BASE-TX (IEEE 802.3u Fast Ethernet)
- 10 BASE-T (IEEE 802.3i Ethernet)
- 52/155/622Mbps and 1.2Gbps ATM
- 4/16 Mbps Token Ring
- IEEE 802.3af (PoE), IEEE 802.3at (PoE+), IEEE 802.3bt (Type4)
- TP-PMD, TPDDI, ISDN, CDDI, VoIP
- EtherCAT Industrial standard, HDBaseT 2.0 standard
- Baseband, Broadband
- Digital and analog for data, video and audio application

## Order Information

Part number	Description	Color	Package
US-1002	Category 6, RJ45 Modular Plug, 2 layers with pre-insert bar	Clear Transparent	10 Each/Pack
US-1062-2	Category 6, RJ45 Modular Plug, 2 layers with pre-insert bar	Red Transparent	10 Each/Pack
US-1062-3	Category 6, RJ45 Modular Plug, 2 layers with pre-insert bar	Green Transparent	10 Each/Pack
US-1062-4	Category 6, RJ45 Modular Plug, 2 layers with pre-insert bar	Blue Transparent	10 Each/Pack
US-1062-5	Category 6, RJ45 Modular Plug, 2 layers with pre-insert bar	Yellow Transparent	10 Each/Pack
US-1062-6	Category 6, RJ45 Modular Plug, 2 layers with pre-insert bar	Black Transparent	10 Each/Pack

Specifications subject to change without notice.

© 2023 LINK CORP. ALL RIGHTS RESERVED

www.linkcable.com

US-1002, US-1062-X-V1.0-151223