



US-1034TFAS

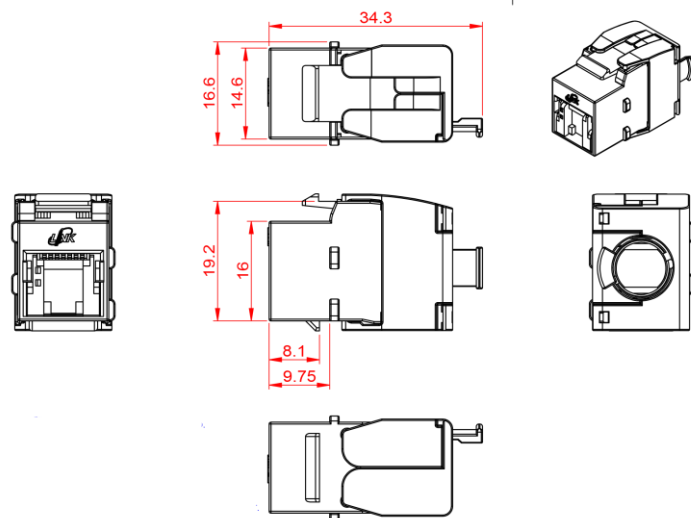


## Shielded CAT6A RJ45 Modular Jack, Tool Free with Auto Shutter

### Scope of Application

LINK Shielded CAT6A RJ45 modular jack has showed the embossed LINK logo on the front. The jack compliant ISO/IEC 11801:2017 Class EA and ANSI/TIA-568.2-D requirements for category 6A performance. The jack are utilized a printed circuit board (PCB) technology to balanced signal transmission of insertion loss and crosstalk. The Jacks accept 26-22 AWG solid & stranded conductor and combine two wiring of T568A/B (Universal color pattern) for easy installation. Tool free cover cap is design for easy to install and can be protect of dust by auto shutter for long life guaranteed. The RJ45 modular jack shall be factory assembled with high quality control and 100% test.

### Drawing



### Technical Standard

- ANSI/TIA-568.2-D Category 6A
- ANSI/TIA-568-C.2 Category 6A
- ANSI/TIA-862
- ISO/IEC 11801:2017 class EA
- EN 50173-1 Category 6A
- UL 1863
- IEC 60603-7, IEC 60512-27-100
- UL and ETL Verified to Category 6A
- RoHS Compliant
- Approvals UL listed file no. E196947
- Intertek Certification no. 102087582CRT-001



## Construction and Properties

<b>Jack Contact</b>	<b>Material</b>	Phosphor bronze with 50-60 micro inch nickel plated and 50 micro inch of gold over nickel plated in contact area
<b>IDC Contact</b>	<b>Material</b>	Phosphor bronze with 150 micro inch tin plated Over 70 micro inch nickel under plated
<b>Jack Housing</b>	<b>Material</b>	Zinc Alloy with nickel plated
<b>Rear Housing</b>	<b>Material</b>	Zinc Alloy with nickel plated
<b>IDC Block</b>	<b>Material</b>	High Impact Polycarbonate, UL 94 V-0
<b>Cover Cap</b>	<b>Material</b>	High Impact Polycarbonate, UL 94 V-0
<b>Shutter</b>	<b>Material</b>	High Impact Polycarbonate, UL 94 V-0

## Electrical Characteristics

<b>Insulation Resistance</b>	500 Mega ohms minimum
<b>Dielectric Withstanding</b>	≤1000 V
<b>Current Rating</b>	≤1.5 Amps
<b>DC Resistance</b>	≤0.1 Ohm maximum
<b>Contact Resistance</b>	20 Milli ohms maximum.

## Physical Properties

<b>Pulling Force</b>	89 N (20 lbs) minimum	
<b>Jack contact</b>	<b>Durability</b>	1000 mating cycles
	<b>Force</b>	100 grams minimum
<b>IDC contact</b>	<b>Durability</b>	200 re-termination cycles
<b>Accommodate</b>	<b>Wire Gauge</b>	26-22 AWG solid and stranded bare copper
	<b>Insulation Diameter</b>	5 mm - 9 mm
	<b>Cable Diameter</b>	110 IDC, Tool Free
<b>Termination Style</b>	180°	
<b>Wiring Pattern</b>	T568A/T568B (universal color pattern)	
<b>Temperature</b>	<b>Storage</b>	-40°C to 80°C
	<b>Operation</b>	-40°C to 80°C



## PERFORMANCE CHARACTERISTIC (meet or exceed ANSI/TIA-568.2-D Category 6A)

Frequency (MHz)	Insertion Loss (dB)	NEXT (dB)	FEXT (dB)	Return Loss (dB)
1	0.01	86.5	80.9	53.5
4	0.01	83.2	72.9	53.8
8	0.01	78.5	69.0	52.1
10	0.01	76.9	67.5	50.8
16	0.01	74.4	63.7	47.2
20	0.01	72.6	61.9	45.3
25	0.01	70.6	60.1	43.2
31.25	0.02	68.8	58.2	41.2
62.5	0.03	62.7	52.5	34.9
100	0.04	58.4	48.4	30.9
155	0.07	54.1	44.6	27.0
200	0.08	51.3	42.4	24.7
250	0.10	48.6	40.5	22.5
300	0.15	46.6	39.0	20.7
350	0.20	45.0	37.7	19.1
400	0.25	43.8	36.6	17.8

## Application

- 2.5G/5G BASE-T (IEEE 802.3bz)
- 10G BASE-T (IEEE 802.3an 10Gigabit Ethernet)
- 1000 BASE-T (IEEE 802.3ab Gigabit Ethernet)
- 1000 BASE-TX (TIA/EIA-854)
- 100 BASE-TX (IEEE 802.3u Fast Ethernet)
- 10 BASE-T (IEEE 802.3i Ethernet)
- 52/155/622Mbps and 1.2Gbps ATM
- 4/16 Mbps Token Ring
- IEEE 802.3af (PoE), IEEE 802.3at (PoE+), IEEE 802.3bt (Type4)
- TP-PMD, TPDDI, ISDN, CDDI, VoIP
- EtherCAT Industrial standard, HDBaseT 2.0 standard
- Baseband, Broadband
- Digital and analog for data, video and audio application

## Order Information

Part number	Description	Color	Package
US-1034TFAS	Shielded, Category 6A, RJ45 Modular Jack, Tool Free with Auto Shutter	Metallic	Pack

Specifications subject to change without notice.

© 2023 LINK CORP. ALL RIGHTS RESERVED

www.linkcable.com

US-1034TFAS-V1.0-041223