



US-1005SC1

US-1005SC2

US-1005SC3

US-1005SC4

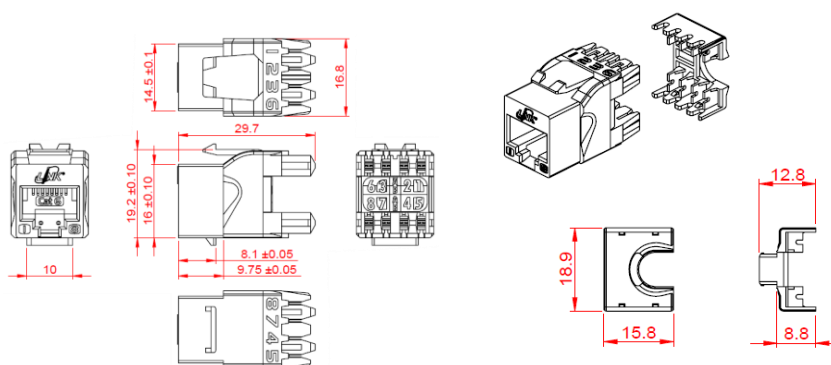
US-1005SC5



Scope of Application

LINK Category 5e RJ45 modular jack, slim type with embossed LINK logo on the front. The jack compliant ISO/IEC 11801 Class D and ANSI/TIA-568.2-D requirements for category 5e performance. The modular jack is utilized a printed circuit board (PCB) technology to balanced signal transmission of insertion loss and crosstalk from 1 to 100MHz. The unshielded Jacks is design of 110 IDC impact tool and Krone insertion tools and LINK fast termination tool which can be protect of dust by cover cap with cable tie for long life guaranteed.

Drawing



Technical Standard

- ANSI/TIA-568.2-D Category 5e
- ANSI/TIA-568-C.2 Category 5e
- ISO/IEC 11801:2017 class D
- EN 50173-1 Category 5e
- UL 1863
- IEC 60603-7, FCC Part 68 Subpart F
- UL and ETL Verified to Category 5e
- Approvals UL listed file no. E196947
- Intertek Certification no. 3159185CRT
- RoHS Compliant



Construction and Properties

Jack Contact	Material	Phosphor bronze with 50-60 micro inch nickel plated and 50 micro inches of gold over nickel plated in contact area
IDC Contact	Material	Phosphor bronze with 150 micro-inch tin plated. Over 70 micro inch nickel under plated
Jack Housing	Material	High Impact flame retardant plastic UL 94 V-0, ABS+PC
IDC Block	Material	High Impact Polycarbonate, UL 94 V-0
Cover Cap	Material	High Impact flame retardant plastic, UL 94 V-0, ABS+PC

Electrical Characteristics

Insulated Resistance	500 mega Ohm's minimum
Dielectric Withstanding	1000 V AC
Current Rating	1.5 Amps
DC Resistance	0.1-ohm maximum
Contact Resistance	20 milliohms maximum

Physical Properties

Pulling Force		89 N (20 lbs) minimum
Jack contact	Durability	800 mating cycles
	Force	100 grams minimum
IDC contact	Durability	200 re-termination cycles
Accommodate	Wire Gauge	26-22 AWG solid and stranded bare copper
	Insulation Diameter	0.8 mm - 1.2 mm.
	Cable Diameter	5 mm - 9 mm.
Termination Style		110 IDC, KRONE, and Fast termination tool (US-8061)
Wiring Pattern		T568A/T568B (universal color pattern)
Cable Entry		90°&180°
Temperature	Storage	-40°C to 70°C
	Operation	-40°C to 70°C



PERFORMANCE CHARACTERISTIC (meet or exceed ANSI/TIA-568.2-D Category 5e)

Frequency (MHz)	Insertion Loss (dB)	NEXT (dB)	FEXT (dB)	Return Loss (dB)
1	0.01	87.5	86.8	58.9
4	0.02	76.8	76.3	50.3
8	0.02	70.9	70.7	45.7
10	0.02	69.3	69.1	44.1
16	0.03	65.0	65.5	40.5
20	0.06	63.2	63.5	38.8
25	0.06	61.3	61.7	37.1
31.25	0.04	59.1	60.2	35.2
62.5	0.06	52.8	54.9	29.7
100	0.08	47.6	51.2	26.2

Application

- 2.5G BASE-T (IEEE 802.3bz)
- 1000 BASE-T (IEEE 802.3ab Gigabit Ethernet)
- 1000 BASE-TX (TIA/EIA-854)
- 100 BASE-TX (IEEE 802.3u Fast Ethernet)
- 10 BASE-T (IEEE 802.3i Ethernet)
- 52/155/622Mbps and 1.2Gbps ATM
- 4/16 Mbps Token Ring
- IEEE 802.3af (PoE), IEEE 802.3at (PoE+)
- TP-PMD, TPDDI, ISDN, CDDI, VoIP
- EtherCAT Industrial standard, HDBaseT 2.0 standard
- Baseband, Broadband
- Digital and analog for data, video, and audio application

Order Information

Part number	Description	Color	Package
US-1005SC1	Category 5e, Modular Jack RJ45, Slim Type	White	Pack
US-1005SC2	Category 5e, Modular Jack RJ45, Slim Type	Red	Pack
US-1005SC3	Category 5e, Modular Jack RJ45, Slim Type	Green	Pack
US-1005SC4	Category 5e, Modular Jack RJ45, Slim Type	Blue	Pack
US-1005SC5	Category 5e, Modular Jack RJ45, Slim Type	Yellow	Pack

Specifications subject to change without notice.

© 2023 LINK CORP. ALL RIGHTS RESERVED

www.linkcable.com

US-1005SCX-V1.0-220324