



US-1001

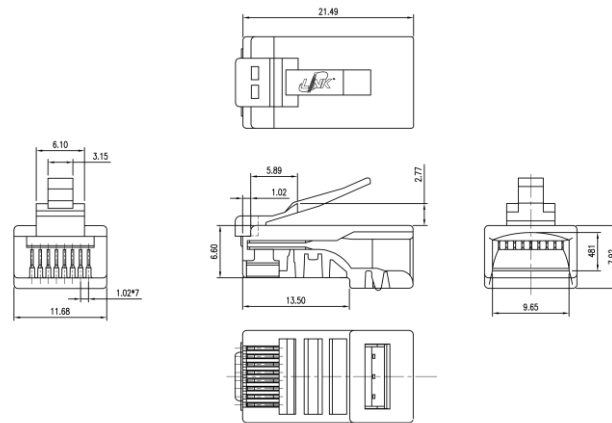


Category 5e, RJ45 Modular Plug, High Performance

Scope of Application

The LINK Category 5e RJ45 Modular Plug is compliant with ISO/IEC 11801 Class D and ANSI/TIA-568.2-D requirements for Category 5e performance. LINK offers plugs in standard configurations to terminate modular cords for patching or workstation connections, making them suitable for UTP CAT5e cables. The transparent body allows visibility of the three-prong contacts and the terminated wires inside. The inner body is mechanically designed for easy termination using a crimping tool.

Drawing



Technical Standard

- ANSI/TIA-568.2-D Category 5e
- ANSI/TIA-568-C.2 Category 5e
- ISO/IEC 11801:2017 class D
- EN 50173-1 Category 5e
- UL 1863
- IEC 60603-7, FCC Part 68 Subpart F
- Approvals UL listed file no. E196947
- RoHS Compliant



Construction and Properties

Plug Housing	Material	High-impact polycarbonate with LINK logo, UL 94V-0
Pin Contact	Material	Three contacts point Phosphor Bronze plated with 50 micro-inch hard gold over 100 micro-inch nickel underplate in contact area

Physical Properties

Plug Contact Durability		1200 mating cycles
Wiring Pattern		T568A/T568B (universal color pattern)
Accommodate	Wire Gauge	26-22 AWG solid and stranded bare copper
	Insulation Diameter	0.80mm-1.02mm.
	Cable Diameter	5 mm – 7 mm
Termination Style		Crimping
Boot support		Compatible with LINK Plug boot and locking plug boot
Temperature	Storage	-40°C to 80°C
	Operation	-20°C to 80°C

Application

- 2.5G BASE-T (IEEE 802.3bz)
- 1000 BASE-T (IEEE 802.3ab Gigabit Ethernet)
- 1000 BASE-TX (TIA/EIA-854)
- 100 BASE-TX (IEEE 802.3u Fast Ethernet)
- 10 BASE-T (IEEE 802.3i Ethernet)
- 52/155/622Mbps and 1.2Gbps ATM
- 4/16 Mbps Token Ring
- IEEE 802.3af (PoE), IEEE 802.3at (PoE+)
- TP-PMD, TPDDI, ISDN, CDDI, VoIP
- EtherCAT Industrial standard, HDBaseT 2.0 standard
- Baseband, Broadband
- Digital and analog for data, video, and audio application

Order Information

Part number	Description	Color	Package
US-1001	Category 5e, RJ45 Modular Plug, High Performance	Clear Transparent	10 Each/Pack

Specifications subject to change without notice.

© 2023 LINK CORP. ALL RIGHTS RESERVED

www.linkcable.com

US-1001-V1.1-140225