



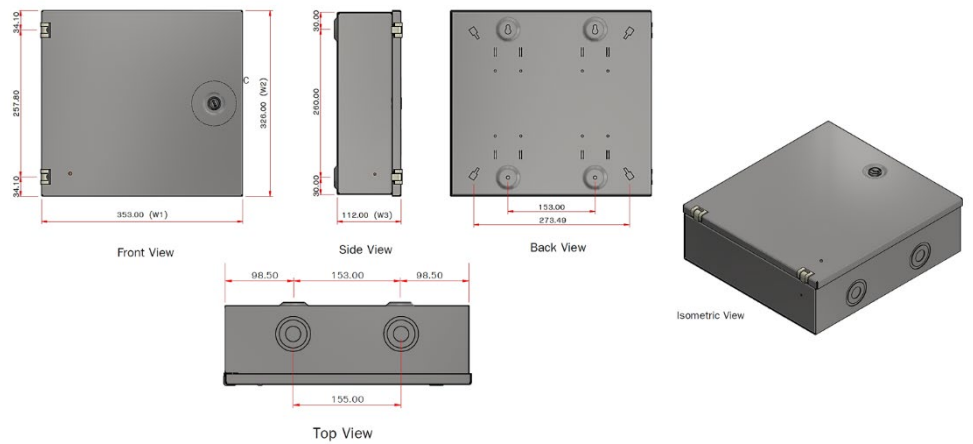
UL-6206



**Scope of Application**

LINK Cross-Connect Cabinet was designed for optimal benefits of linkage in the communication system, maintenance and adjustment in order to eliminate limitations of the communication system.

**Drawing**



**Technical Standard**

- ISO 9001 : 2015
- ISO 14001 : 2015

**FEATURE**

- Fully CCC (Cross Connection Cabinet) which designed for all MDF, TC, IDC, etc.
- Flexible to BMF installation (after the cabinet is installed) with built-in bolts afxed on the cabinet wall.
- Cabinet's inner area is spacious with the snap-in cable management ring system, Easy and tidy wiring installation.
- Bridge is available in the cabinet for handy management.
- All cabinets will supply the key locking system to prevent from unauthorized linkage within the cabinet.





## SPECIFICATIONS

<b>Material</b>	- Made from Electro-galvanized steel 1.2mm thickness (1.5mm thickness optional). - Surface finishing by Electrostatic powder coating.
<b>Color</b>	Shiny light blue

## ORDER INFORMATION

Part number	Size	Tel. Capacity (pair)	No. of Module	Computer Capacity (port)	BMF used (option)	Dimension WxHxD (cm.)
UL-6206	12	120	12	2x12	2x6 pos.	35 X 32 X 11