



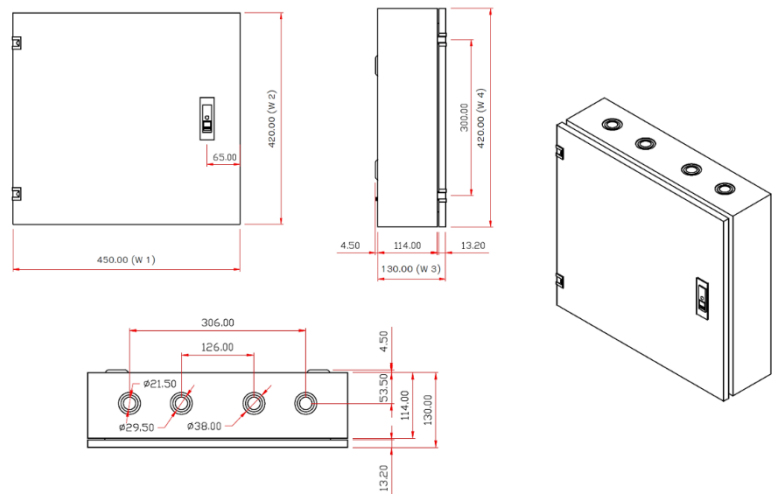
UL-6112



Scope of Application

Wall mount steel cabinet was designed by German standard for telephone system cabinet. Therefore, the cabinet are especially durable, extensive and premium quality for installation. Also have wire guideline for cable and wire management. All cabinets will supply the key locking system and provide grounding terminal.

Drawing



Technical Standard

- ISO 9001 : 2015
- ISO 14001 : 2015



SPECIFICATIONS

Material	- Made from Electro-galvanized steel 1.2mm thickness (1.6mm. thickness optional). - Surface nishing by Electrostatic powder coating.
Color	Gray

ORDER INFORMATION

Part number	Tel. Capacity (pair)	BMF used (option)	Dimension W x H x D (cm.)
UL-6112	200 - 220	2 x 11 pos.	45 X 42 X 13