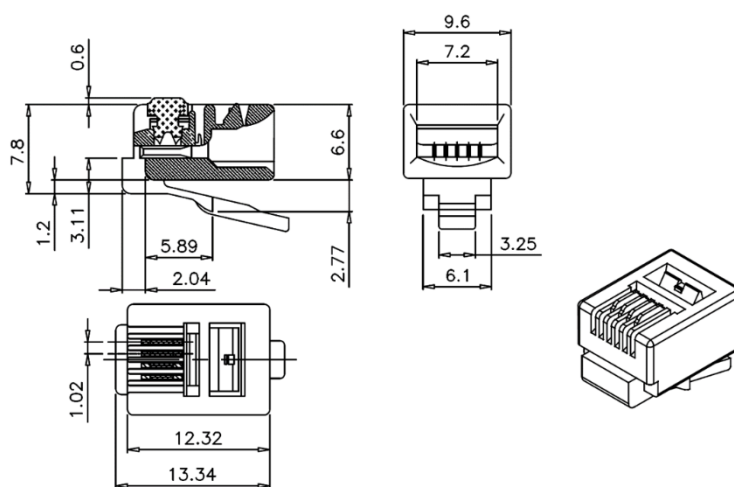




UL-3011



Drawing



Technical Standard

- UL 94V-2



SPECIFICATIONS

Housing	Polycarbonate, UL 94V-2 with LINK logo
Contact	4 Contact with 50 microinches Gold Plating over Nickel Plated and Phosphor Bronze

ORDER INFORMATION

Part number	Description	Package
UL-3011	RJ11 MODULAR PLUG, 6P4C	Pack