



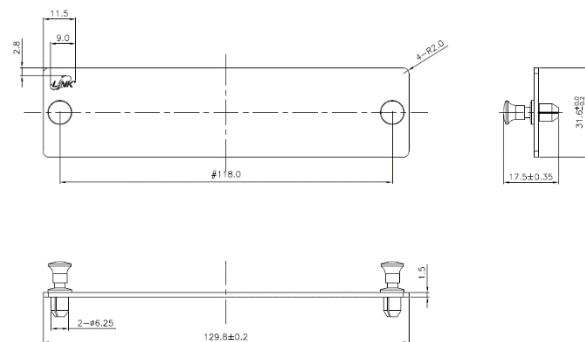
UF-2200

LINK AMERICAN CABLING

## Scope of Application

LINK adapter snap plates designed for convenient use with Fiber Optic Distribution Unit (FDU), rack mount drawer and wall mount enclosures. Provide nylon rivet (snap on) access easy to install and update.

## Drawing



## FEATURES AND BENEFITS

- Suitable for all LINK FDU.
- Good in repeatability ability.
- Distribution Panel
- Nylon rivet allow for fast, easy, tool-free installation.
- Meets standard ANSI/TIA-568.3-D, ANSI/TIA-568-C.3, EIA/TIA-604 and ISO/IEC 11801:2017
- RoHS Compliant



## SPECIFICATION

### BLANK ADAPTER SNAP PLATE

Plate	Aluminum
Snap on	Black Anodize, Color Nylon rivet, 2 each

## ORDER INFORMATION

### BLANK ADAPTER SNAP PLATE

Part Number	Description	Color
UF-2200	BLANK Snap-In Adapter PLATE	Black Anodize

Specifications subject to change without notice.

© 2025 LINK CORP. ALL RIGHTS RESERVED

[www.linkcable.com](http://www.linkcable.com)

UF-2200-V1.3\_\_200325