

STRIPPING TOOL

For RG59, RG6 & RG11 for F-twist Connector, Pal

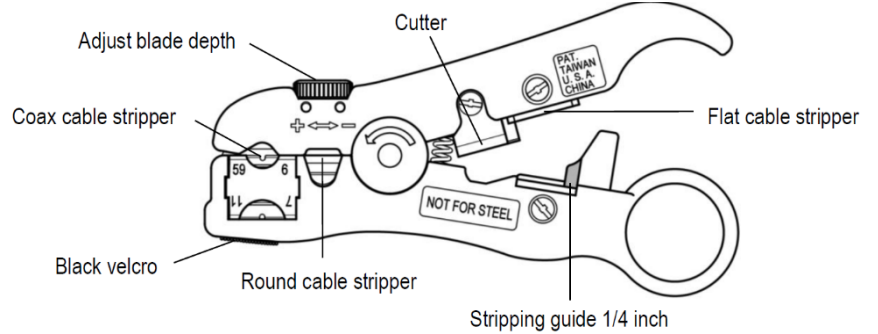


UC-8145



Scope of Application

Drawing



Technical Standard

- RoHS Compliant

Feature

1. Strips outer jacket of coaxial RG59/6, RG11, UTP/STP, round and flat cables.
2. Use Black Velcro for folding back the braided shield of cable.
3. Designed with interchangeable / reversible cassette for coaxial RG59/6, RG11 cable & stripping length 6mm (1/4") pre-set.
4. Adjustable stripping length for round cable. Equips with cutter

LINK AMERICAN STANDARD



TECHINCAL SPECIFICATION

LENGTH	4.9" (125mm)
WEIGHT	74g
MATERIAL	Body : ABS Blade : High Carbon Steel
COLOR	Yellow with LINK LOGO
SUITABLE	Twisted Pair Cable and Coaxial Cable

Order Information

Part number	Description
UC-8145	Stripping Tool