

COAXIAL CRIMP TOOL

For BNC RG58, RG11 Connector



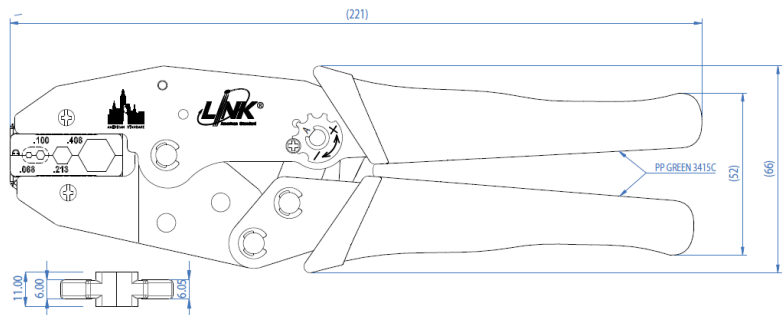
UC-8118A



Scope of Application

LINK UC-8118A BNC CRIMP TOOL design to crimp BNC for RG58, RG11 Connector, This tool is suitable LINK connector, Frame are made of Carbon Steel with PP grip together with ratchet mechanism for easy to use.

Drawing



Technical Standard

- RoHS Compliant

Application

- BNC connector
 - RG58 (UC-0002) "LINK"
 - RG11 (UC-0028) "LINK"



TECHINCAL SPECIFICATION

TYPE	Ratchet Mechanism Type			
FRAME	Carbon Steel, Black			
DIE SET	.068"	.100"	.213"	.406"
	1.72mm.	6.50mm.	5.41mm.	10.31mm.
GRIP	PP, Green			
Application	Durable & Professional			

Order Information

Part number	Description	Color
UC-8118A	CRIMP TOOL BNC for RG58, RG11	Green