

# COAXIAL CRIMP TOOL

For BNC & F-Type & PAL for RG6, RG59



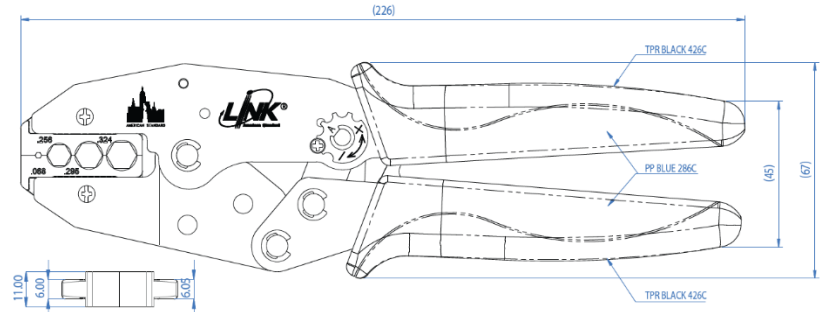
UC-8116A



## Scope of Application

LINK UC-8116A BNC & F-Type & PAL CRIMP TOOL design to crimp BNC & F-Type & PAL for RG6, RG59 connector, This tool is suitable LINK connector, Frame are made of Carbon Steel with PP grip together with ratchet mechanism for easy to use.

## Drawing



## Technical Standard

- RoHS Compliant

## Application

- BNC connector :
  - RG6 (UC-0026) "LINK"
  - RG59 (UC-0004) "LINK"
- F-Type connector :
  - RG 6 (UC-0064) "LINK"
  - RG59 (UC-0054) "LINK"
- PAL connector :
  - RG6 (UC-0088) "LINK"
  - RG59 (UC-0089) "LINK"



## TECHINCAL SPECIFICATION

<b>TYPE</b>	Ratchet Mechanism Type			
<b>FRAME</b>	Carbon Steel, Black			
<b>DIE SET</b>	068"	.256"	.295"	.324"
	1.72mm.	6.50mm.	7.49mm.	8.23mm.
<b>GRIP</b>	PP, Blue and Black			
<b>Application</b>	Durable & Professional			

## Order Information

<b>Part number</b>	<b>Description</b>	<b>Color</b>
UC-8116A	CRIMP TOOL BNC & F-Type & PAL for RG6, RG59	Blue and Black