



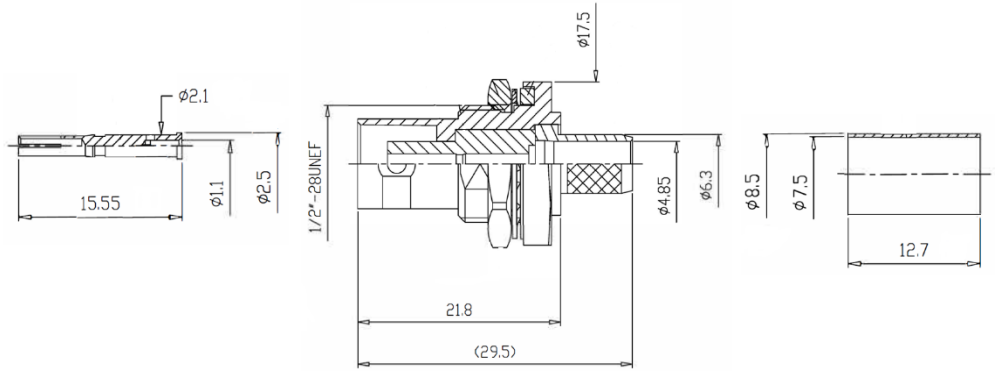
UC-0036



Scope of Application

LINK BNC connector is military grade. LINK BNC connector to meet the needs for higher performance impedance - matched cable interconnections. Designed for the most popular cable used in communication, broadcast, CCTV applications. Nickel plated body for enhanced corrosion resistance.

Drawing



Technical Standard

- RoHS Compliant

LINK AMERICAN STANDARD



TECHINCAL SPECIFICATION

BODY	BRASS with NICKEL PLATING
CENTER PIN	BRASS with GOLD PLATING
CRIMP SLEEVE	BRASS with NICKEL PLATING

Order Information

Part number	Description	STRIPPING TOOL	CRIMP TOOL
UC-0036	BNC JACK RG6, FEMALE, CRIMP TYPE	UC-8256	UC-8116A