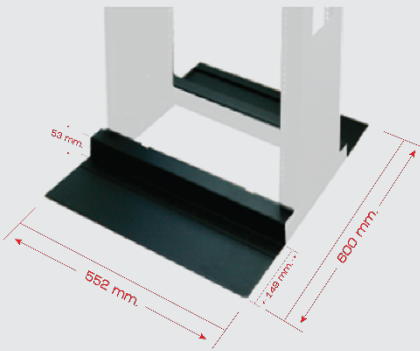




CN-61150

LINK AMERICAN STANDARD



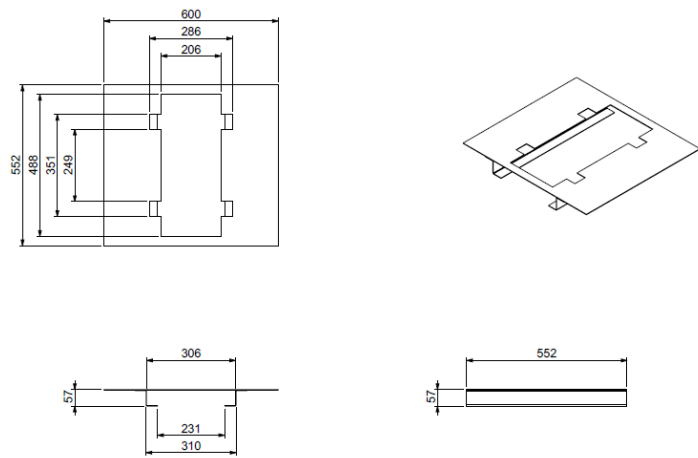
STEEL BASE

(Option for Network Rack)

Scope of Application

The cabinet is able to mount on the floor by steel base LINK Network Rack offered high strength product, high durability and efficiency at work, also can support to install 19"Standard's equipment.

Drawing



Technical Standard

- ANSI/EIA-310D
- IEC 60297-1
- IEC 60297-2
- BS 5954 Part : 2
- DIN 41494
- 19"Rack Standard
- ISO 9001 :2015
- ISO 14001 : 2015





Features

- The cabinet is able to mount on the floor by steel base

Material

- Steel Base : 2.0 mm Electro-galvanized steel sheet
- Electrostatic powder coating, Black (RAL9004)

Order Information

Part number	Description	Width (cm.)	Depth (cm.)	Height (cm.)
CN-61150	STEEL BASE (Option for Network Rack)	55.2	60	5.7

Specifications subject to change without notice.

© 2023 LINK CORP. ALL RIGHTS RESERVED

www.linkcable.com

CH-61150-V1.1-121223