

HEAVY DUTY FAN

FAN 1x4", 2x4" and 3x4" HEAVY DUTY FAN



CK-80104

CK-81204

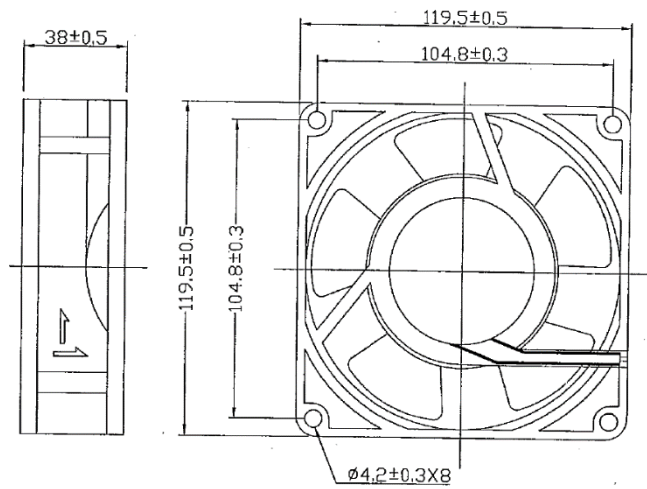
CK-81304

LINK AMERICAN STANDARD

Scope of Application

The Special design for high performance of ventilation in closed rack cabinet, for keep long shelf life and high performance of an equipment's which installed in the cabinet.

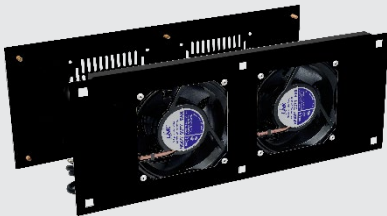
Drawing



*For reference only

Technical Standard

- CE
- UL/CSA





Features

- Fan's type designed to 4" with heavy duty 2 ball bearing.
- Impellers made from fiberglass reinforced plastic, UL94V-0 rating
- 120x120x38mm. Die-Cast Aluminum Housing.
- 7.0mm. ABS Plastic Guard with trademark embossing.
- 220VAC with grounding system for 2x4" & 3x4"
- Black frame made from Electro-Galvanized Steel with Electrostatic powder coating process

Specifications

- Speed : 2,650 rpm @50 Hz, 3,000 rpm @60 Hz
- Max Air Flow : 2.38 m³/min or 84.8 CFM
- Operating Temp : -30°C to 70°C
- Input Voltage : 220 – 230 VAC, 50/60 Hz
- Max Power :
 - 1xØ4" : 22Watts @50 Hz, 19 @60 Hz
 - 2xØ4" : 44Watts @50 Hz, 38 @60 Hz
 - 3xØ4" : 66Watts @50 Hz, 57 @60 Hz
- Acoustical Noise : 46 dB
- Life expectancy : 50,000 Hours
- Power cord : 1.8m. (2x0.5mm²) for CK-80104, 1.4m. (3x18AWG) for CK-81204 and CK-81304

Order Information

Part number	Description	Power Cord
CK-80104	FAN 1xØ4" HEAVY DUTY FAN	1.8m.
CK-81204	FAN 2xØ4" HEAVY DUTY FAN	1.4m.
CK-81304	FAN 3xØ4" HEAVY DUTY FAN	1.4m.

Specifications subject to change without notice.

© 2023 LINK CORP. ALL RIGHTS RESERVED

www.linkcable.com

CK-8XX04-V1.1-121223