



CH-10306A



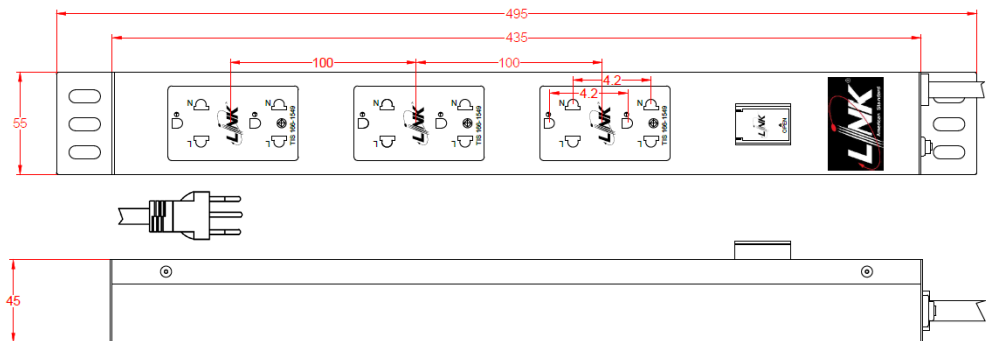
## PDU TIS OUTLET

6 TIS OUTLET LIGHTING SW w/GUARD + PROTECTION 16A

### Scope of Application

LINK Power Distribution Unit (PDU) can meet the general requirements of power distribution and special demand. Solid, easy installation and modular composite structure are the basic characteristics. Security and stability are our guarantee for the products. The products can meet the installation requirements of 19" standard cabinet and non-standard cabinet. More control, outlet standards, accessibility functions can be customized. Applications support datacenter, telecommunications, PC systems, audio video, security, sound and other. Ideal for distribution of UPS, generator or other AC power to protected equipment.

### Drawing



### Technical Standard

- TIS 166-2549
- TIS 11 Part5-2553
- TIS 2432-2555
- UL 94V-0
- IEC 60934
- EN 61056-1
- ISO 9001:2015



## Specifications

- Nominal Voltage : 220 - 250VAC
- Frequency : 50/60Hz
- Maximum Amps : 16A
- Maximum Power : 3,680W
- Plug Type : TIS 166-2549 (16A)
- Outlet Type : TIS 166-2549
- Overload protection : 16A, IEC 60934
- Lighting Switch w/Guard : 16A, EN 61058-1
- Surge Current : 6.5KA
- Power Cord Length (m) : 3m.
- Power Cord Electrical Wiring : 3x1 .5mm<sup>2</sup>, TIS 11 Part5-2553
- Socket material : PC/ABS (UL94V-0), Black
- Panel Material : Galvanized Steel, Black
- Outlet quantity : 6 Outlets
- POU Bracket Kit : Included 1 Pairs
- Warranty : 1 Year
- Compliant : RoHS

## Order Information

Part number	Description	Power Cord
CH-10306A	PDU 6 TIS Outlet (Lighting SW w/Guard + Protection 16A)	3m.

Specifications subject to change without notice.

© 2023 LINK CORP. ALL RIGHTS RESERVED

www.linkcable.com

CH-10306A-V1.1-121223