



CB-1002A

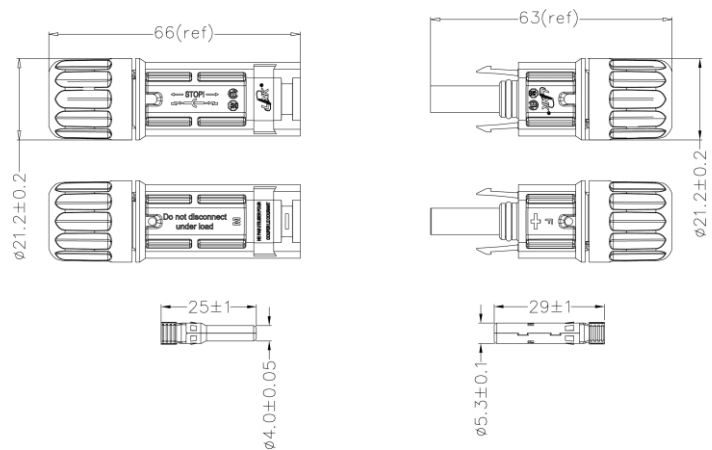


MC4 CONNECTOR

Scope of Applications

LINK MC4 connectors use high-quality materials that guarantee long-term reliability. Lower contact resistance and higher current transfer capability ensure high product efficiency. LINK MC4 connectors have an IP68 water-proof rating and can be used in a wide operating temperature range from $-40\text{ }^{\circ}\text{C}$ to $90\text{ }^{\circ}\text{C}$ and used in atrocious weather. A stable automatic lock system makes connectors open and close easily. The lock-clip has a special design to prevent personal unlock by hand.

Drawing



Technical Standards

- IEC 62852:2014
- EN 62852:2015
- UL 6703
- TÜV Approval No. B 116544 0001 Rev. 00
- RoHS compliant

Application

- Compliant with MC4 connector
- UV-resistance & Waterproof with Protection class IP68
- High voltage carrying capacity
- The connector can be used in the atrocious weather.
- Stable automatic lock-system makes connectors open and close easily
- The lock-clip has special designed to prevent personnel unlocked by hand.



TECNICAL SPECIFICATION

Compatible Cable	2.5 mm ² , 4 mm ² and 6 mm ²
Contact Material	Copper Tin Plating
Type of Connection	Crimping
Insulation Material	PC/PA
Contact Resistance	≤ 0.25mΩ
Rated Voltage	1500V DC
Rated Current	40A
Rated Impulse Voltage	16KV
Ambient Temperature Range	-40°C to +90°C
Upper Limiting Temperature	105°C
Safety Class	Class II
Pollution Degree	Class II
Overtoltage Level	Class III
Flame Class	UL94V-0
Index Protection	IP68
Contact System	MULTILAM
Locking System	NEC Locking Type

Order Information

Part number	Description	Color	Package
CB-1002A	MC4 CONNECTOR (Pair), 2.5 - 6 mm ² , 1500 V	Black	Pack

Specifications subject to change without notice.

© 2023 LINK CORP. ALL RIGHTS RESERVED

www.linkcable.com

CB-1002A-V1.0-261223