

CCTV OUTDOOR CABINET

ALUMINUM TYPE 4, IP43

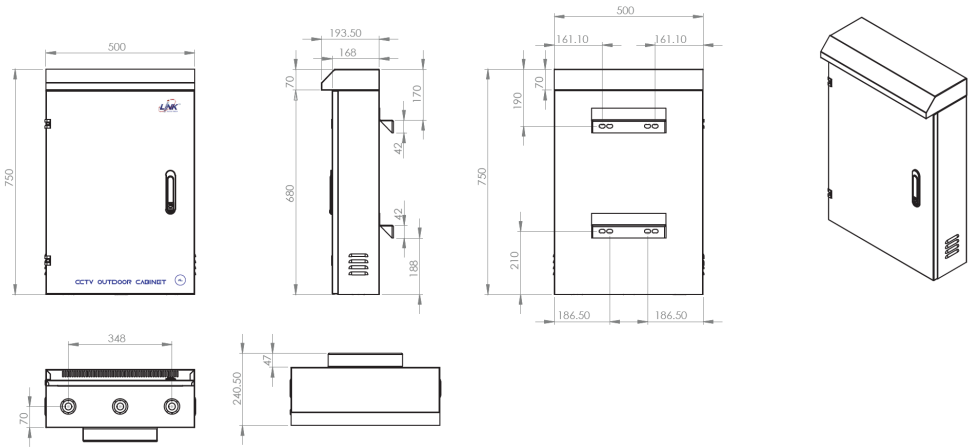


UV-9004-AL

Scope of Application

Hanging cabinet type for outdoor installation, suitable for CCTV system, Suitable for Fiber Optic Equipment, Industrial Media Converter and Industrial Ethernet Switches

Drawing



Technical Standard

- ASTM D522
- ASTM D3363
- ASTM D3359
- Salt spray test 500 hrs.
- ISO 9001 : 2015
- ISO 14001 : 2015



Features

- Hanging cabinet type for outdoor, suitable for CCTV system and fiber optic distribution.
- Produced from Aluminum with thickness of 1.2mm, Light weight and completed rust proof.
- New shine light gray, coated and baked using the Electro-static Powder Coating system in accordance with the international ASTM standards.
- It has a water and dust protection rating of IP43.
- Provide build in push handle lock made from stainless steel, offering high strength and excellent rust resistance at front door.
- Both sides of the cabinet are equipped with louvered ventilation openings designed to prevent water ingress. Inside the cabinet, dust filters are installed to protect against fine dust particles.
- Supporting by double steel bar with thickness of 3.0mm at Back side.
- Roof can accommodate two 4-inch ventilation fans (CK-80104) and features elongated capsule-shaped ventilation slots along the front side. An internal insect screen is included to prevent intrusion. This design effectively dissipates heat within the cabinet and helps extend the lifespan of the internal equipment
- Door and roof are equipped with a special black rubber material that provides high resistance to water and moisture, utilizing CNC Foam Gasket Technology to prevent water from entering the cabinet.
- Hinge is made from aluminum material, which is rust-resistant and corrosion-resistant.
- Provide 3 knock out holes size 3/4 " and 1" for cable entry.
- Provide cable guide inside the cabinet for manages all the cables.
- Provide removable component plate with thickness 1.5mm.
- Plate drilled for M4 rivet nuts can accommodate the installation of at least 2 layers of splice trays
- 1 EA of 4 Outlet power distributions.
- Provide ground wire connecting between structure cabinet and front door.

Material

- Frame : 1.2 mm Aluminum
- Removable Plate : 1.5 mm Aluminum
- Back Support Bar : 3.0 mm Aluminum
- Electrostatic powder coating, Light Gray

Order Information

Part number	Description	Height (cm.)	Width (cm.)	Depth (cm.)	IP Rating
UV-9004-AL	CCTV OUTDOOR ALUMINUM CABINET, Type 4	75	50	16.8	IP43

Recommend Accessories

Part number	Description
UF-2082	Spare Splice Tray 24F (Plastic)
CK-80104	FAN 1xØ4" HEAVY DUTY FAN
CH-10304A	PDU 4 TIS OUTLET (Lighting SW w/Guard + Protection 16A)

Specifications subject to change without notice.

© 2023 LINK CORP. ALL RIGHTS RESERVED

www.linkcable.com

UV-9004-AL-V1.0-250825