



US-1002AA

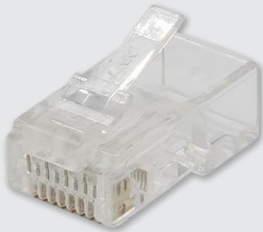
US-1062AA-2

US-1062AA-3

US-1062AA-4

US-1062AA-5

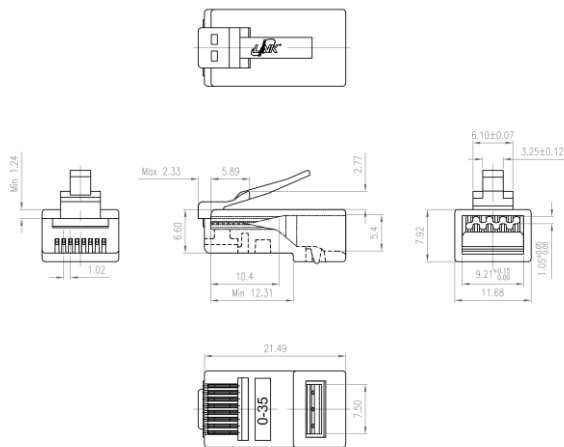
US-1062AA-6



Scope of Application

The LINK Category 6 NEW RJ45 Modular Plug 2 Layer complies with ISO/IEC 11801 Class E and ANSI/TIA-568.2-E standards for Category 6 performance. LINK offers these plugs in standard configurations, making them suitable for terminating modular cords in patching or workplace applications. The unique termination process simplifies installation, and the single-part design enhances performance.

Drawing



Technical Standard

- ANSI/TIA-568.2-E Category 6
- ANSI/TIA-568.2-D Category 6
- ANSI/TIA-568-C.2 Category 6
- ISO/IEC 11801:2017 class E
- EN 50173-1 Category 6
- UL 1863
- IEC 60603-7, FCC Part 68 Subpart F
- RoHS Compliant
- Approvals UL listed file no. E196947



Construction and Properties

Plug Housing	Material	High-impact polycarbonate with LINK logo, UL 94V-0
Pin Contact	Material	Three prong pin, Copper Alloy with 50 micro-inch hard gold over 100 micro-inch nickel under plated in contact area

Physical Properties

Plug Contact Durability	2500 mating cycles	
Wiring Pattern	T568A/T568B (universal color pattern)	
Accommodate	Wire conductor	26-23AWG
	Insulation Diameter	0.91-1.02 mm
	Max Cable Diameter	5.5-6.5 mm
Termination Style	Crimping	
Boot support	Compatible with LINK Plug boot and locking new plug boot	
Temperature	Storage	-40°C to 80°C
	Operation	-20°C to 80°C

Application

- 2.5G/5G BASE-T (IEEE 802.3bz)
- 1000 BASE-T (IEEE 802.3ab Gigabit Ethernet)
- 1000 BASE-TX (TIA/EIA-854)
- 100 BASE-TX (IEEE 802.3u Fast Ethernet)
- 10 BASE-T (IEEE 802.3i Ethernet)
- 52/155/622Mbps and 1.2Gbps ATM
- 4/16 Mbps Token Ring
- IEEE 802.3af (PoE), IEEE 802.3at (PoE+), IEEE 802.3bt (Type4)
- TP-PMD, TPDDI, ISDN, CDDI, VoIP
- EtherCAT Industrial standard, HDBaseT 2.0 standard
- Baseband, Broadband
- Digital and analog for data, video, and audio application

Order Information

Part number	Description	Color	Package
US-1002AA	CAT 6 New RJ45 PLUG, 2 Layer, TRANSPARENT CLAER	TRANSPARENT CLAER	10PCS/PKG
US-1062AA-2	CAT 6 New RJ45 PLUG, 2 Layer, TRANSPARENT RED	TRANSPARENT RED	10PCS/PKG
US-1062AA-3	CAT 6 New RJ45 PLUG, 2 Layer, TRANSPARENT GREEN	TRANSPARENT GREEN	10PCS/PKG
US-1062AA-4	CAT 6 New RJ45 PLUG, 2 Layer, TRANSPARENT BLUE	TRANSPARENT BLUE	10PCS/PKG
US-1062AA-5	CAT 6 New RJ45 PLUG, 2 Layer, TRANSPARENT YELLOW	TRANSPARENT YELLOW	10PCS/PKG
US-1062AA-6	CAT 6 New RJ45 PLUG, 2 Layer, TRANSPARENT BLACK	TRANSPARENT BLACK	10PCS/PKG

Specifications subject to change without notice.

© 2023 LINK CORP. ALL RIGHTS RESERVED

www.linkcable.com

US-1002AA, US-1062AA-X-V1.1-200426