



US-6110TF

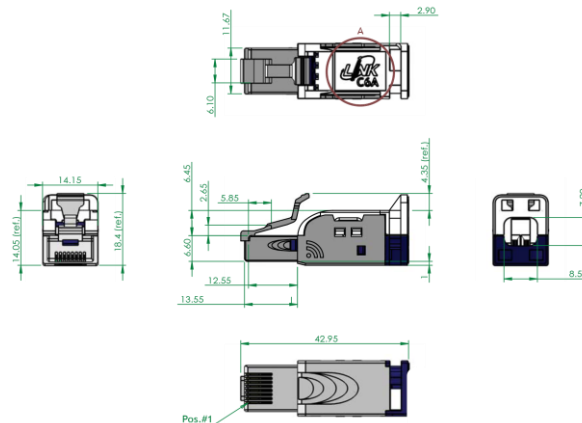
LINK AMERICAN CABLING



## Scope of Application

CAT 6A UTP RJ45 PLUG, SUPER-S, Field Terminate compliant ISO/IEC 11801:2017 Class EA and ANSI/TIA-568.2-E requirements for category 6A performance. LINK offer plugs in standard configurations to terminate modular cord for patching or MPTL. Simplified termination due to a unique process. features intuitive design that helps to save installation time. Anyone can finish a termination within two minutes with experience. 3-Way Cable Tie Holder is built at rear to secure the termination. Compact design allows you to bend the terminated cable to adapt to any limited space.

## Drawing



## Technical Standard

- ANSI/TIA-568.2-E Category 6A
- ANSI/TIA-568.2-D Category 6A
- ISO/IEC 11801:2017 class EA
- EN 50173-1 Category 6A
- UL 1863
- IEC 60603-7, FCC Part 68 Subpart F
- IEC 60512-27-100
- RoHS Compliant
- Approvals UL listed file no. E196947



## Construction and Properties

<b>PIN Contact</b>	<b>Material</b>	Phosphor bronze with 50μ-inch gold plating at contact area over 60μ-inch nickel undercoat
<b>IDC Contact</b>	<b>Material</b>	Phosphor bronze Tin over nickel plating
<b>Plug Housing</b>	<b>Material</b>	High-Impact Polycarbonate, UL 94V-0, Transparent
<b>PCB</b>		FR4
<b>IDC Housing</b>	<b>Material</b>	High-Impact Polycarbonate, UL 94V-0, Blue
<b>Wiring cap</b>	<b>Material</b>	High-Impact Polycarbonate, UL 94V-0, White

## Electrical Characteristics

<b>Insulation Resistance</b>	500 Mega ohms minimum
<b>Dielectric Withstanding</b>	≤1000 V
<b>Current Rating</b>	≤1.5 Amps
<b>DC Resistance</b>	≤0.1 Ohm maximum
<b>Contact Resistance</b>	20 Milli ohms maximum.

## Physical Properties

<b>Mating Cycles</b>	<b>Durability</b>	≥ 2000 times
<b>Termination Cycles</b>	<b>Durability</b>	≥ 20 re-termination cycles
<b>Accommodate</b>	<b>Wire Gauge</b>	26-23 AWG solid and stranded bare copper
<b>Temperature</b>	<b>Insulation Diameter</b>	0.8mm-1.2mm.
	<b>Cable Diameter</b>	6mm-8.5mm.
<b>Termination Style</b>		Tool free
<b>Wiring Pattern</b>		T568B/T568A
<b>Temperature</b>	<b>Storage</b>	-40°C to 80°C
	<b>Operation</b>	-20°C to 80°C

## Application

- 2.5G/5G BASE-T (IEEE 802.3bz)
- 10G BASE-T (IEEE 802.3an 10Gigabit Ethernet)
- 1000 BASE-T (IEEE 802.3ab Gigabit Ethernet)
- 1000 BASE-TX (TIA/EIA-854)
- 100 BASE-TX (IEEE 802.3u Fast Ethernet)
- 10 BASE-T (IEEE 802.3i Ethernet)
- 52/155/622Mbps and 1.2Gbps ATM
- 4/16 Mbps Token Ring
- IEEE 802.3af (PoE), IEEE 802.3at (PoE+), IEEE 802.3bt (Type4)
- TP-PMD, TPDDI, ISDN, CDDI, VoIP
- EtherCAT Industrial standard, HDBaseT 2.0 standard
- Baseband, Broadband
- Digital and analog for data, video and audio application



## Order Information

Part number	Description	Color	Package
US-6110TF	CAT 6A UTP RJ45 PLUG, SUPER-S, Field Terminate	White/blue	Pack

Specifications subject to change without notice.

© 2023 LINK CORP. ALL RIGHTS RESERVED

[www.linkcable.com](http://www.linkcable.com)

US-6110TF-V1.1-220426