



US-6222TFS

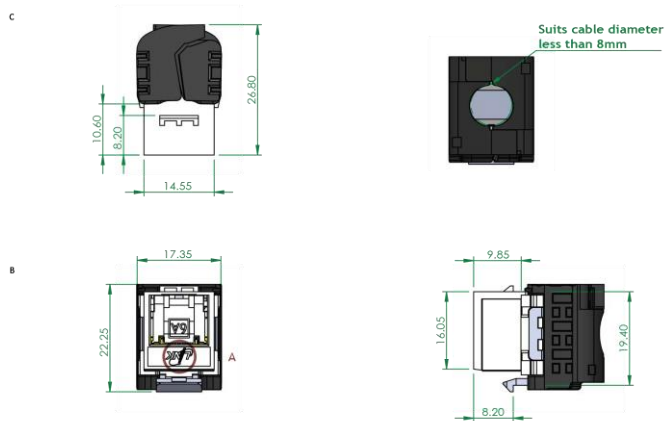


CAT 6A UTP SUPER-S RJ45 JACK, SHORT BODY, Tool Free, Auto Shutter

Scope of Application

LINK UTP CAT6A RJ45 modular jack short body has showed the embossed LINK logo on the front. The jack compliant ISO/IEC 11801:2017 Class EA and ANSI/TIA-568.2-E requirements for category 6A performance. The Jacks accept 26-23 AWG solid & stranded conductor and combine two wiring of T568A/B (Universal color pattern) for easy installation. Tool free cover cap is design for easy to install and can be protect of dust by auto shutter for long life guaranteed. The RJ45 modular jack shall be factory assembled with high quality control and 100% test.

Drawing



Technical Standard

- ANSI/TIA-568.2-E Category 6A
- ANSI/TIA-568.2-D Category 6A
- ANSI/TIA-568-C.2 Category 6A
- ISO/IEC 11801:2017 class EA
- EN 50173-1 Category 6A
- UL 1863
- IEC 60603-7, IEC 60512-27-100
- RoHS Compliant
- Approvals UL listed file no. E196947



Construction and Properties

Jack Contact	Material	Phosphor bronze with 50-60 micro inch nickel plated and 50 micro inch of gold over nickel plated in contact area
IDC Contact	Material	Phosphor bronze with 150 micro inch tin plated Over 60 micro inch nickel under plated
Jack Housing	Material	High Impact Polycarbonate, UL 94 V-0
Rear Housing	Material	High Impact Polycarbonate w/Anti-EMI Compound, UL 94 V-0
IDC Block	Material	High Impact Polycarbonate, UL 94 V-0
PCB		FR4
Cover Cap	Material	High Impact Polycarbonate, UL 94 V-0
Shutter	Material	High Impact Polycarbonate, UL 94 V-0

Electrical Characteristics

Insulation Resistance	500 Mega ohms minimum
Dielectric Withstanding	≤1000 V
Current Rating	≤1.5 Amps
DC Resistance	≤0.1 Ohm maximum
Contact Resistance	20 Milli ohms maximum.

Physical Properties

Pulling Force		89 N (20 lbs) minimum
Jack contact	Durability	2000 mating cycles
	Force	100 grams minimum
IDC contact	Durability	≥ 20 re-termination cycles
Accommodate	Wire Gauge	26-23 AWG solid and stranded bare copper
	Insulation Diameter	0.8mm – 1.2mm
	Cable Diameter	5 mm – 8.5 mm
Termination Style		110 IDC, Tool Free
Cable entry		180°
Wiring Pattern		T568A/T568B (universal color pattern)
Temperature	Storage	-40°C to 80°C
	Operation	-40°C to 80°C



Application

- 2.5G/5G BASE-T (IEEE 802.3bz)
- 10G BASE-T (IEEE 802.3an 10Gigabit Ethernet)
- 1000 BASE-T (IEEE 802.3ab Gigabit Ethernet)
- 1000 BASE-TX (TIA/EIA-854)
- 100 BASE-TX (IEEE 802.3u Fast Ethernet)
- 10 BASE-T (IEEE 802.3i Ethernet)
- 52/155/622Mbps and 1.2Gbps ATM
- 4/16 Mbps Token Ring
- IEEE 802.3af (PoE), IEEE 802.3at (PoE+), IEEE 802.3bt (Type4)
- TP-PMD, TPDDI, ISDN, CDDI, VoIP
- EtherCAT Industrial standard, HDBaseT 2.0 standard
- Baseband, Broadband
- Digital and analog for data, video and audio application

Order Information

Part number	Description	Color	Package
US-6222TFS	CAT 6A UTP SUPER-S RJ45 JACK, SHORT BODY, Tool Free, Auto Shutter	White/Black	Pack

Specifications subject to change without notice.

© 2023 LINK CORP. ALL RIGHTS RESERVED

www.linkcable.com

US-6222TFS-V1.2-220426